

Type KVF

Quick-Closing Valve for Gaseous Media Electro-Pneumatic Operated

Edition: 01.19

Subject to change without notice

APPLICATION AREA

- > Gas firing systems on steam boilers
acc. to DIN EN12952/12953
- > Industrial thermoprocessing equipment
acc. to DIN EN 746
- > Pipe systems for fluids and liquid media for all
industrial sectors

ADVANTAGE

- > Closing time < 1 sec
- > High safety level through zero leakage
- > Heavy duty design for high operating cycles
- > High performance valve design for long service
life



safe and reliable

Type KVF

Quick-Closing Valve for Gaseous Media Electro-Pneumatic Operated



DN 1/2"-2" ANSI 150 lbs

APPLICATION

- > Automatic operated emergency shutdown device
- > In gas pipes in front of burner
acc. to DIN EN 12952/12953
- > Safety and control device for gas burner
- > Automatic shut-off valves in piping systems

TECHNICAL DATA

- > Single-seated straight-through globe valve
acc. to ANSI standard
- > Stem sealing acc. to TA-Luft,
stainless steel bellow with additional lip seal and
connection for tightness test
- > Exchangeable plug gasket made of PTFE
- > Maintenance-free guide bushing
- > Additional sealing force generated through primary
pressure loaded onto the valve plug
- > Piston actuator with integrated closing spring

CERTIFICATES

EC-Type examination (Modul B)

acc. to directive 2014/68/EU

EC- Type examination certificate

with product-identnumber

acc. to gas appliance regulation EU/2016/426

based on:

DIN EN 13611 / DIN EN 161 / DIN EN 16678

- Certificate:**
- > TA-Luft
DIN EN ISO 15848-1
VDI 2440
 - > SIL2 / EN 61508
 - > Fire-safe
DIN EN ISO 10497 / API 607
and API 6FA

OPERATING DATA

- Media:**
- > Gaseous fuels
acc. to PED 2014/68/EU
 - > Fuels acc. to G260;
gas group 1., 2. and 3
 - > Other gaseous media
- Operating pressure:** Max. 20 bar g
- Operating temperature:** -29 to 200 °C
- Ambient temperature:** -29 to 80 °C
- Control medium:** Compressed air at 4-8 bar g
- Air quality:** acc. to DIN ISO 8573-1
- Control voltage*:** 230 V, 50 Hz, 24 V DC
- Power:** 10.6 VA / 6.8 W
- IP Protection Class:** IP 65
- Mounting position:** No restriction
- Mounting location:** Indoor/Outdoor

OPTION

- > Soft opening function with integrated control
characteristic
- > Flow control function via smart positioner and
special plug

REMARKS

Acc. to DIN EN12952/12953 it is advised to install strainer
in front of shut off valve. (Kühme SF / SFY)

safe and reliable

Type KVF

Quick-Closing Valve for Gaseous Media Electro-Pneumatic Operated



DN 1/2"-2" ANSI 150 lbs

DIMENSIONS

ANSI	mm						kg
	L	D	H	H ₁	H ₂	H ₃	
1/2	108	195	420	180	120	245	35
3/4	117	195	423	180	120	245	35
1	127	195	426	180	120	250	37
1 1/2	165	195	440	180	120	265	46
2	203	195	420	180	120	235	52

Flange dimensions acc. to ASME B16.5

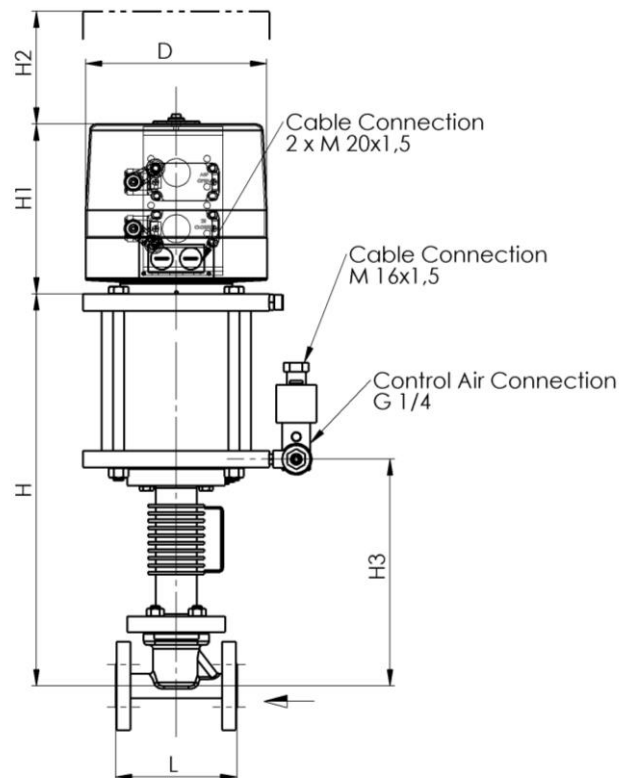
PARAMETER

Nominal diameter DN	1/2"	3/4"	1"	1 1/2"	2"
Max. Service pressure (PS) in bar g at -29° to 38 °C	19	19	19	19	19
Max. Service pressure (PS) in bar g at max. 200°C	14	14	14	14	14
Rating ANSI Class	150	150	150	150	150
k _{vs} - value m ³ /h (max.)	4,8	6,6	11,1	26,5	41
Closing time	< 1 Second				

ACCESSORIES*

QTY	Accessories
1	Quick venting valve
1	3/2-way solenoid valve, directly actuated, pressure 0 to 8 bar
2	Limit switch as mechanical cam switch or proximity switch
1	Protection cover, transparent, for limit switch and optical position indication

* Other materials and accessories are available on request.



MATERIALS*

- Body:** A 216 WCB
- Valve seat:** clad with E347-16
- Plug gasket:** Elastomer
- Bellow:** 1.4541
- Stem:** 1.4541
- Actuator:** Steel/Aluminium
- Sealing parts:** Elastomer

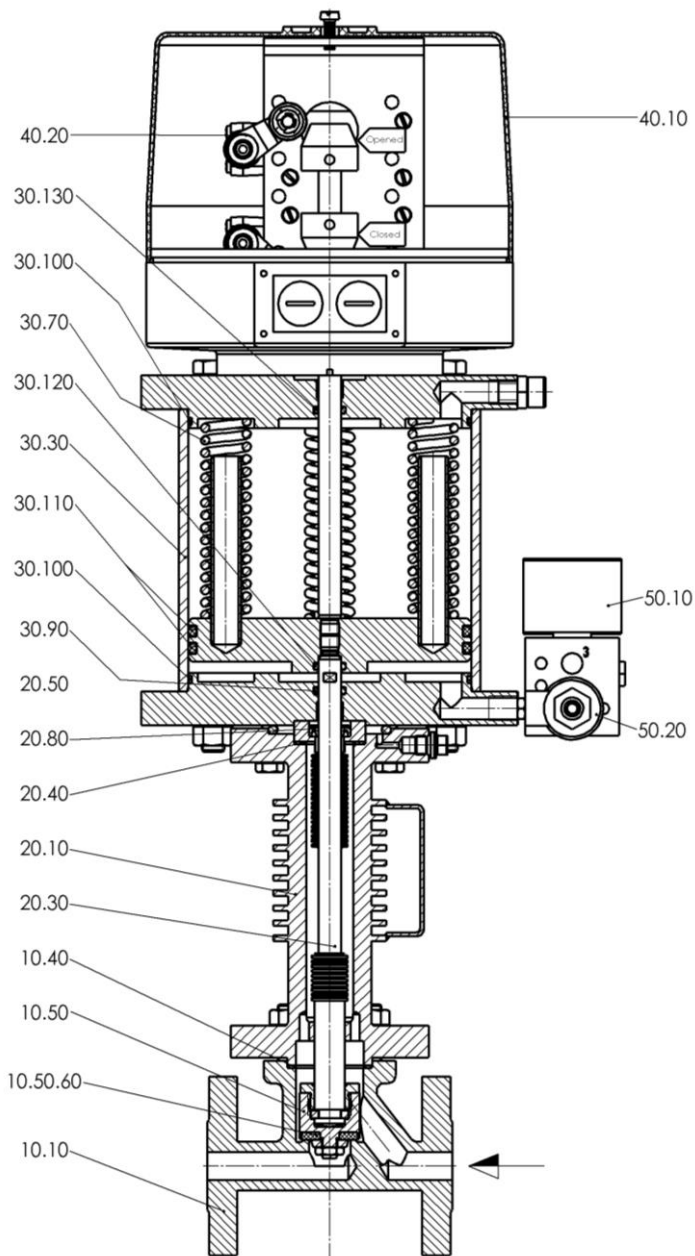
safe and reliable

Type KVF

Quick-Closing Valve for Gaseous Media Electro-Pneumatic Operated



DN 1/2"-2" ANSI 150 lbs



- 10.10 Body
- * 10.40 Body gasket
- 10.50 Plug
- * 10.50.60 Plug gasket
- 20.10 Bonnet
- * 20.30 Stem with bellow
- * 20.40 Gasket
- * 20.50 O-Ring
- * 20.80 Lip seal
- 30.30 Piston tube
- * 30.70 Compression spring
- * 30.90 O-Ring
- * 30.100 O-Ring
- * 30.110 O-Ring
- * 30.120 O-Ring
- * 30.130 O-Ring
- * 40.10 Protection cover
- * 40.20 Limit switch
- * 50.10 3/2-way solenoid valve
- * 50.20 Quick venting valve
- * **Spares**