

Type KVII/HF-KVII/HF

Double Block and Bleed Unit for Gaseous Media Electro-Pneumatic Operated

Edition: 05.18

Subject to change without notice

APPLICATION AREA

- > Gas firing systems on steam boilers
acc. to DIN EN12952/12953
- > Industrial thermoprocessing equipment
acc. to DIN EN 746
- > Pipe systems for gaseous fuels
for all industrial sectors

ADVANTAGE

- > Closing time < 1 sec
- > High safety level through zero leakage
- > Heavy duty design for high operating cycles
- > High performance valve design for long service life
- > Package unit with integrated intermediate venting



safe and reliable

Type KVII/HF-KVII/HF

Double Block and Bleed Unit for Gaseous Media Electro-Pneumatic Operated



DN 65-300 PN 40

APPLICATION

- > Automatic operated emergency shutdown device
- > In pipelines in front of burner
acc. to DIN EN 12952/12953
- > Safety and control device for gas burner
- > Automatic shut-off valves in piping systems

TECHNICAL DATA

- > Single-seated straight-through globe valves
acc. to DIN/EN standard
- > Stem sealing acc. to TA-Luft,
stainless steel bellow with additional lip seal and
connection for tightness test
- > Exchangeable plug gasket
- > Maintenance-free guide bushing
- > Piston actuator with integrated closing spring
- > Control element pressure-balanced to allow
higher pressure
- > Integrated connection for intermediate venting

CERTIFICATES

EC-Type examination (Modul B)

acc. to directive 2014/68/EU

EC- Type examination certificate

with product-identnumber

acc. to gas appliance regulation EU/2016/426

based on:

DIN EN 13611 / DIN EN 161 / DIN EN 16678 / DIN EN 16304

Certificate:

- > TA-Luft
DIN EN ISO 15848-1
VDI 2440
- > SIL2 / EN 61508
- > Fire-safe
DIN EN ISO 10497 / API 607

OPERATING DATA

- | | |
|-------------------------------|---|
| Media: | > Gaseous fuels
acc. to PED 2014/68/EU |
| | > Fuels acc. to G260;
gas group 1., 2. and 3 |
| | > Other gaseous media |
| Operating pressure: | Max. 16 bar g |
| Operating temperature: | -29 to 180 °C |
| Ambient temperature: | -29 to 80 °C |
| Control medium: | Compressed air at 4-8 bar g |
| Air quality: | acc. to DIN ISO 8573-1 |
| Control voltage: | 230 V, 50 Hz, 24 V DC |
| Power: | 10.6 VA / 6.8 W |
| IP Protection Class: | IP 65 |
| Mounting position: | no restriction |
| Mounting position: | Indoor/Outdoor |

OPTION

- > Quick-closing valve with integrated control
characteristic for soft opening
- > Combination with electro-pneumatic positioner for
selective flow control

REMARKS

Acc. to DIN EN12952/12953 it is advised to install strainer
in front of shut off combination. (Kühme SF / SFY)

safe and reliable

Type KVII/HF-KVII/HF

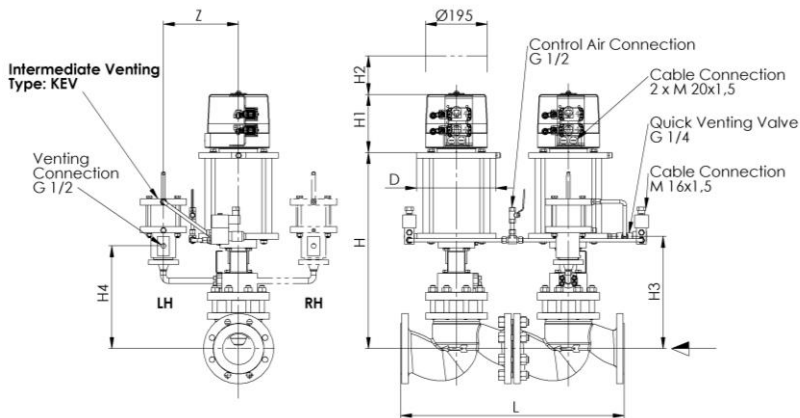
Double Block and Bleed Unit for Gaseous Media Electro-Pneumatic Operated



DN 65-300 PN 40

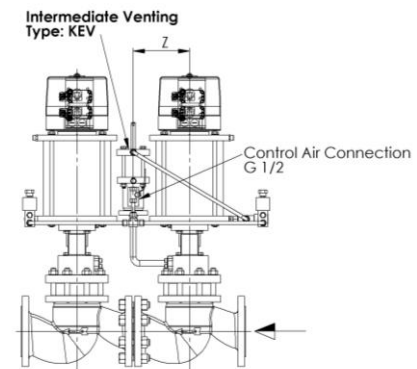
TYPE A

Intermediate Venting Left Hand / Right Hand arrangement



TYPE B

Intermediate Venting Compact arrangement



DIMENSIONS

DN	bar g	mm								Arrangement	kg
	Max. Operating pressure*	L	D	H	H ₁	H ₂	H ₃	H ₄	Z		
65	16	580	200	520	180	120	350	255	240	A	125
80	10	620	200	525	180	120	352	265	250	A	125
80	16	620	250	525	180	120	352	265	250	A	125
100	16	700	250	525	180	120	352	315	235	A	170
125	16	800	250	660	250	180	400	335	235	A	205
150	16	960	250	660	250	180	400	367	300	A	285
200	16	1200	315	750	250	180	415	425	300	B	475
250	10	1460	315	870	250	180	535	490	315	B	725
300	10	1700	370	890	250	180	565	525	315	B	1000

*Max. Functional pressure with compressed air 4 bar g; Flange dimensions acc. to EN 1092-1/B1

MATERIALS*

Body:	GP240GH
Valve seat:	cladded with 1.4551
Plug gasket:	Elastomer
Bellow:	1.4541
Stem:	1.4021
Actuator:	Steel/Aluminium
Sealing parts:	Elastomer

* Other materials and accessories are available on request.

ACCESSORIES*

QTY	Accessories
2	Quick venting valve
2	3/2-way solenoid valve, directly actuated, pressure 0 to 8 bar
4	Limit switch as mechanical cam switch or proximity switch
2	Protection cover, transparent, for limit switch and optical position indication

PARAMETER

Nominal diameter DN	65	80	100	125	150	200	250	300
Max. Service pressure (PS) in bar g	16	16	16	16	16	16	10	10
k _{vs} - value m ³ /h (max.)	75	105	170	270	405	675	1090	1460
Closing time	< 1 Second							

safe and reliable

Type KVII/HF-KVII/HF

Double Block and Bleed Unit for Gaseous Media Electro-Pneumatic Operated



DN 65-300 PN 40