

safe and reliable



Type KEV/P

Intermediate Venting Valve for Gaseous Media Electro-Pneumatic Operated

Edition: 05.18

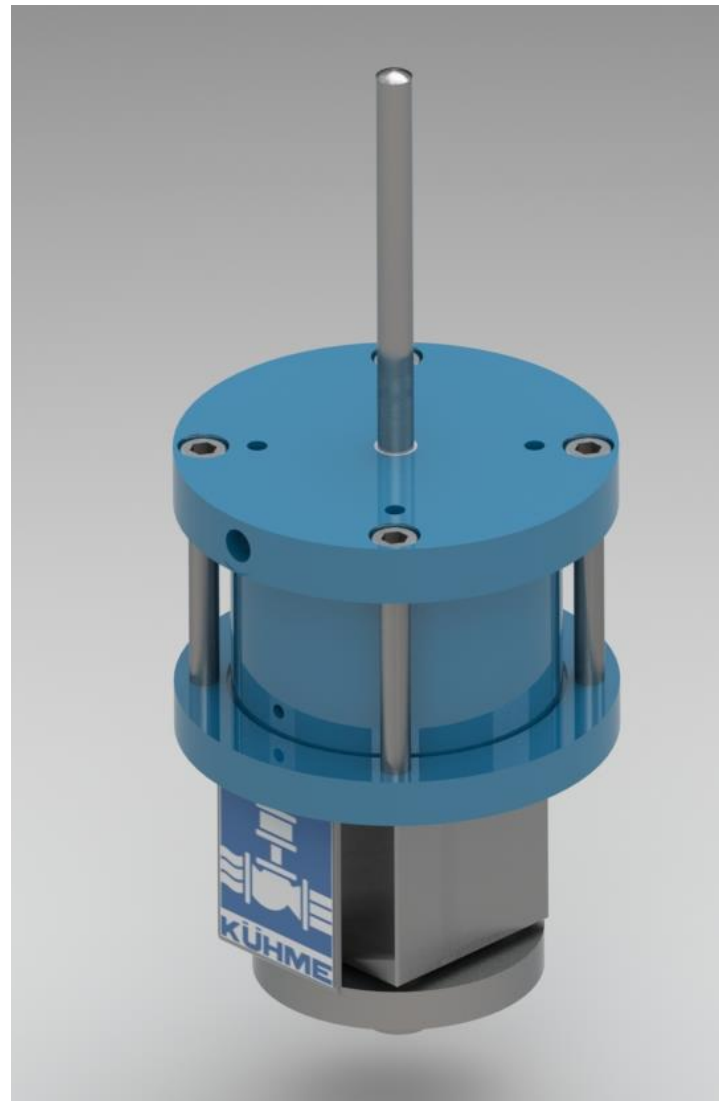
Subject to change without notice

APPLICATION AREA

- > Gas firing systems on steam boilers
acc. to DIN EN12952/12953
- > Industrial thermoprocessing equipment
acc. to DIN EN 746
- > Pipe systems for gaseous fuels
for all industrial sectors

ADVANTAGE

- > Opening time < 1 sec
- > High safety level through zero leakage
- > Heavy duty design for high operating cycles
- > High performance valve design for long service life



safe and reliable

Type KEV/P

Intermediate Venting Valve for Gaseous Media Electro-Pneumatic Operated



DN 15-25 PN 40

APPLICATION

- > Automatic operated vent device
- > In gas pipes intermediate double block and bleed unit
- > Venting valve for leak tightness devices

TECHNICAL DATA

- > Single-seated angle valve
- > Exchangeable plug gasket
- > Maintenance-free guide bushing
- > Piston actuator with integrated opening spring

CERTIFICATES

EC-Type examination (Modul B)
acc. to directive 2014/68/EU

EC- Type examination certificate
with product-identnumber
acc. to gas appliance regulation EU/2016/426

based on:
DIN EN 13611 / DIN EN 161 / DIN EN 16304

Certificate: > SIL2 / EN 61508

OPERATING DATA

Media:	> Gaseous fuels acc. to PED 2014/68/EU > Fuels acc. to G260; gas group 1., 2. and 3 > Other gaseous media
Operating pressure:	Max. 40 bar g
Operating temperature:	-29 to 225 °C
Ambient temperature:	-29 to 80 °C
Control medium:	Compressed air at 4-8 bar g
Air quality:	acc. to DIN ISO 8573-1
Control voltage*:	230 V, 50 Hz, 24 V DC
Power*:	10.6 VA / 6.8 W
IP Protection Class:	IP 65
Mounting position:	No restriction
Mounting location:	Indoor/Outdoor

OPTION

- > With limit switches
- > With solenoid valve*
- > Protection cover

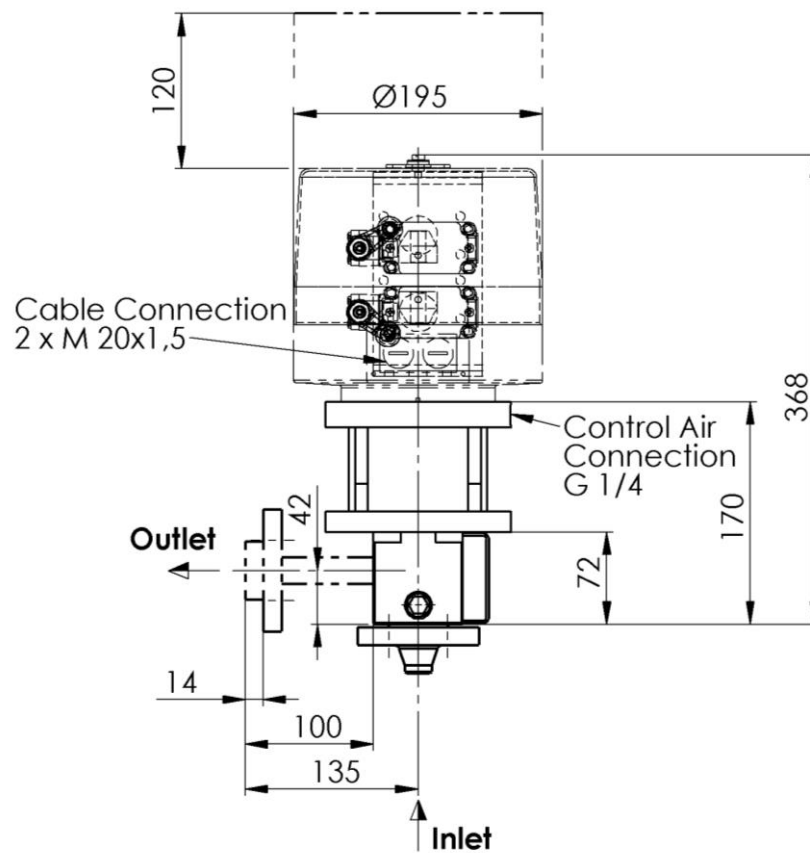
safe and reliable

Type KEV/P

Intermediate Venting Valve for Gaseous Media Electro-Pneumatic Operated



DN 15-25 PN 40



DIMENSIONS

Inlet		Outlet		
Flange		Socket	Flange	
DN	PN	Thread	DN	PN
15	40	G 1/2	15	40
		G 3/4	20	
		3/4 NPT	25	
			1/2"	150/300 lbs
			3/4"	
1"				

MATERIALS*

Body:	P250GH
Plug gasket:	Elastomer
Piston sealing:	Elastomer
Actuator:	Steel/Aluminium

* Other materials and accessories are available on request.