

safe and reliable



Type KVF/S - The Innovative Hybrid Valve

Quick-Closing & Control Valve for Gaseous Media

Electro-Pneumatic Operated

Edition: 01.19

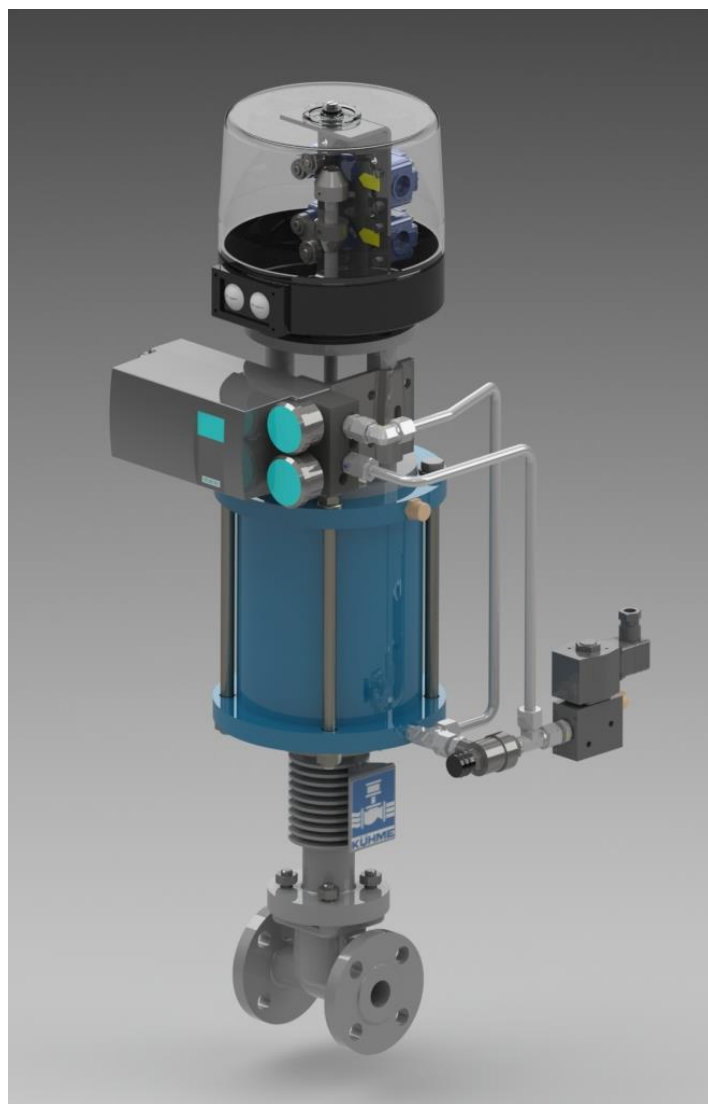
Subject to change without notice

APPLICATION AREA

- > Gas firing systems on steam boilers
acc. to DIN EN12952/12953
- > Industrial thermoprocessing equipment
acc. to DIN EN 746
- > Pipe systems for fluids and liquid media for all
industrial sectors

ADVANTAGE

- > Closing time < 1 sec
- > High safety level through zero leakage
- > Heavy duty design for high operating cycles
- > High performance valve design for long service
life
- > Precise control function



safe and reliable

Type KVF/S

Quick-Closing & Control Valve for Gaseous Media Electro-Pneumatic Operated



DN 15-50 PN 40

APPLICATION

- > Combined control and quick closing valve
- > In pipelines in front of burner
acc. to DIN EN12952/12953
- > In Industrial thermoprocessing equipment
acc. to DIN EN 746

TECHNICAL DATA

- > Single-seated straight-through globe valve
acc. to DIN/EN standard
- > Stem sealing acc. to TA-Luft,
stainless steel bellow with additional lip seal and
connection for tightness test
- > Exchangeable plug gasket
- > Maintenance-free guide bushing
- > Additional sealing force generated through primary
pressure loaded onto the valve plug
- > Piston actuator with integrated closing spring
- > Combined electro-pneumatic Regulation- and
Quick-closing control system

CERTIFICATES

EC-Type examination (Modul B)

acc. to directive 2014/68/EU

EC-Type examination certificate

with product-identnumber

acc. to gas appliance regulation EU/2016/426

based on:

DIN EN 13611 / DIN EN 161 / DIN EN 16678

Certificate:

- > TA-Luft
DIN EN ISO 15848-1
VDI 2440
- > SIL2 / EN 61508
- > Fire-safe
DIN EN ISO 10497 / API 607
and API 6FA

OPERATING DATA

Media:	> Gaseous fuels acc. to PED 2014/68/EU > Fuels acc. to G260; Gas group 1., 2. and 3 > Other gaseous media
Operating pressure:	Max. 40 bar g
Operating temperature:	-29 to 200 °C
Ambient temperature:	-29 to 80 °C
Control medium:	Compressed air at 4-8 bar g
Air quality:	acc. to DIN ISO 8573-1
Control voltage:	230 V, 50 Hz, 24 V DC
Power:	10.6 VA / 6.8 W
IP Protection Class:	IP 65
Mounting position:	No restriction
Mounting location:	Indoor/Outdoor

OPTION

- > Valve plug also available in parabolic, perforated as
well as in slit cone design

REMARKS

Acc. to DIN EN 12952/12953 it is advised to install strainer
in front of shut off valve. (Kühme SF / SFY)

safe and reliable

Type KVF/S

Quick-Closing & Control Valve for Gaseous Media Electro-Pneumatic Operated



DN 15-50 PN 40

DIMENSIONS

DN	mm						kg
	L	D	H	H ₁	H ₂	H ₃	Weight
15	130	195	600	180	120	245	35
20	150	195	600	180	120	245	35
25	160	195	600	180	120	245	37
32	180	195	610	180	120	255	40
40	200	195	620	180	120	265	43
50	230	195	620	180	120	265	47

Flange dimensions acc. to EN 1092-1/B1;
Valve yoke dimensions acc. to DIN/IEC534

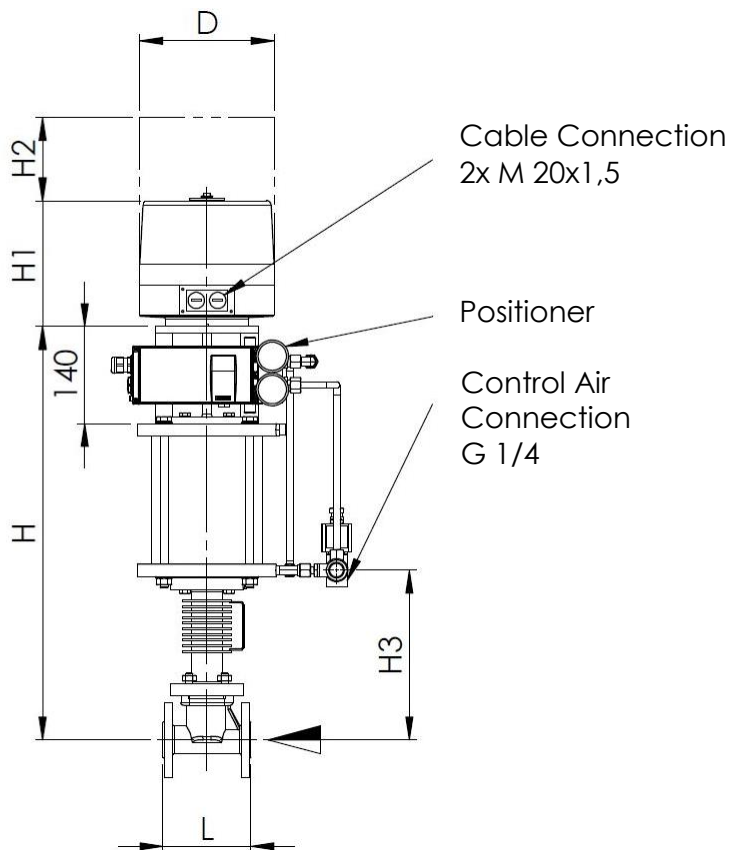
PARAMETER

Nominal diameter DN	15	20	25	32	40	50
Max. Service pressure (PS) in bar g at -10°C to +120 °C	40	40	40	40	40	40
Max. Service pressure (PS) in bar g at max. 200 °C	33	33	33	33	33	33
Max. Service pressure (PS) in bar g at -29 °C to < -10 °C	30	30	30	30	30	30
k _{vs} - value m ³ /h (max.) (P250GH)	3	5,3	8,6	13	21	37,2
k _{vs} - value m ³ /h (max.) (GP240GH)	5,3	7,2	12	16	28,5	43
Closing time	< 1 Second					

ACCESSORIES*

QTY	Accessories
1	Pneumatic Change over Valve
1	3/2-way solenoid valve, directly actuated
1	Electro-pneumatically Positioner
2	Limit switch as mechanical cam switch or proximity switch
1	Protection cover, transparent, for limit switch and optical position indication

* Other materials and accessories are available on request.



MATERIALS*

Body / Valve seat: P250GH / clad with 1.4551

Alternative: GP240GH / 1.4021+QT

Plug gasket: Elastomer

Bellow: 1.4541

Stem: 1.4541

Actuator: Steel/Aluminium

Sealing parts: Elastomer