

Type KVH-GT

Quick-Closing Turbine-Valve for Gaseous Media Electro-Pneumatic Operated

Edition: 11.16

Subject to change without notice

APPLICATION AREA

- > Gas Turbines for the petroleum, chemical and gas industry service acc. to API 616

ADVANTAGE

- > Closing time < 0.1 sec
- > High safety level through zero leakage
- > Heavy duty design for high operating cycles
- > High performance valve design for long service life



safe and reliable

Type KVH-GT

Quick-Closing Turbine-Valve for Gaseous Media Electro-Pneumatic Operated



DN 2"-14" ANSI 600 lbs

APPLICATION

- > Automatic operated emergency shutdown device
- > In gas pipes systems in front of gas turbines

TECHNICAL DATA

- > Single-seated straight-through globe valve acc. to ANSI standard
- > Stem sealing acc. to TA-Luft, automatic seal set and connection for tightness test
- > Exchangeable plug gasket
- > Maintenance-free guide bushing
- > Piston actuator with integrated closing springs
- > Control element pressure-balanced to allow higher pressure

CERTIFICATES

EC-Type examination (Modul B)
acc. to directive 2014/68/EU

based on:
DIN EN 13611 / DIN EN 161 / DIN EN 16678

Certificate: > SIL2 / EN 61508

OPERATING DATA

Media:	> Gaseous fuels acc. to PED 2014/68/EU
	> Fuels acc. to G260; gas group 1., 2. and 3
	> Other gaseous media
Operating pressure:	Max. 70 bar g
Operating temperature:	-15 to 260 °C
Ambient temperature:	-15 to 80 °C
Control medium:	Compressed air at 6-10 bar g
Air quality:	acc. to DIN ISO 8573-1
Control voltage:	230 V, 50 Hz, 24 V DC
Power:	5.3 VA / 3.9 W
IP Protection Class:	IP 66
Mounting position:	Vertical in horizontal pipe
Mounting location:	Indoor

OPTION

- > Quick-closing valve with integrated control characteristic for soft opening

safe and reliable

Type KVH-GT

Quick-Closing Turbine-Valve for Gaseous Media Electro-Pneumatic Operated



DN 2"-14" ANSI 600 lbs

DIMENSIONS

ANSI	mm								kg
	L	D	H	H ₁	H ₂	A ₁	A ₂	B	
2"	292	250	720	180	120	370	190	265	120
3"	356	315	745	180	120	395	225	300	160
4"	432	315	770	250	180	420	225	300	220
6"	559	370	870	250	180	450	250	325	325
8"	660	370	920	250	180	500	250	325	635
10"	787	440	1050	250	180	530	285	360	1025
12"	838	440	1110	250	180	590	285	360	1675
14"	889	490	1250	340	180	650	310	385	2350

Flange dimensions acc. to ASME B16.5

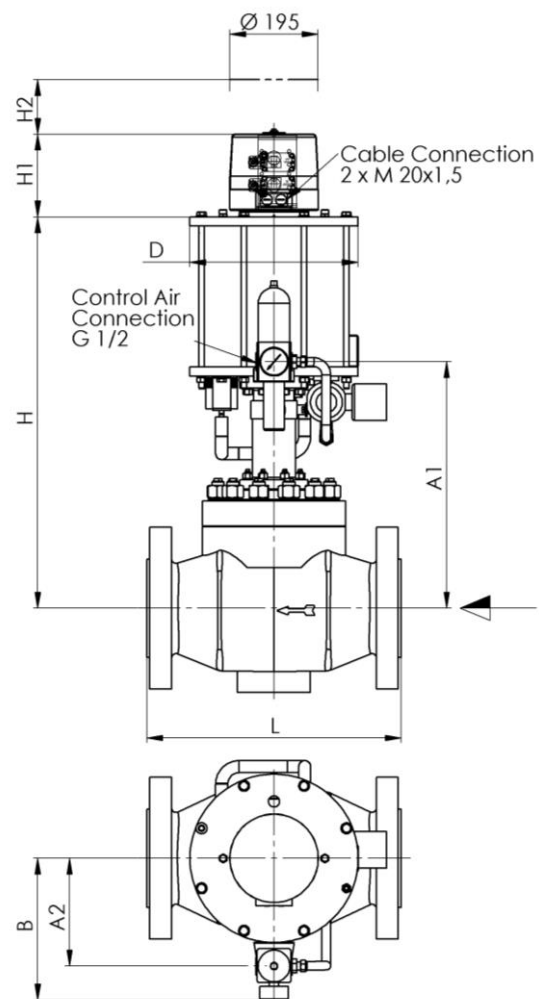
PARAMETER

Nominal diameter DN	2"	3"	4"	6"	8"	10"	12"	14"
k _{vs} - value m ³ /h (max.)	40	125	200	375	690	1350	1600	2200
Closing time	< 0.1 Second							
Control Air Connection	G 1/2 "				G 3/4 "			
	DN 15 (Pipe Ø18x1.5)				DN 20 (Pipe Ø22x1.5)			

ACCESSORIES*

QTY	Accessories
1	Filter pressure reducer (adjusted to 6.0 bar g)
1	3/2-way NAMUR pilot solenoid valve
1	3/2-way pneumatic seat valve ("BOOSTER")
1	Quick-Venting valve Type: SEV
2	Limit switch as mechanical cam switch or proximity switch
1	Protection cover, transparent, for limit switch and optical position indication

* Other materials and accessories are available on request.



MATERIALS*

Body:	A 216 WCB
Valve seat:	1.4057
Plug gasket:	Steel/PTFE
Stem:	1.4021
Actuator:	Steel/Aluminium
Piston sealing:	Elastomer