

safe and reliable



Type KVII/FS - The Innovative Hybrid Valve

Quick-Closing & Control Valve for Gaseous Media Electro-Pneumatic Operated

Edition: 06.20

Subject to change without notice

APPLICATION AREA

- > Gas firing systems on steam boilers
acc. to DIN EN12952/12953
- > Industrial thermoprocessing equipment
acc. to DIN EN 746
- > Pipe systems for fluids and gaseous media
for all industrial sectors

ADVANTAGE

- > Closing time < 1 sec
- > High safety level through zero leakage
- > Heavy duty design for high operating cycles
- > High performance valve design for long service life
- > Precise control function



safe and reliable

Type KVII/FS

Quick-Closing & Control Valve for Gaseous Media Electro-Pneumatic Operated



DN 2½"-12" ANSI 300 lbs

APPLICATION

- > Combined control and quick closing valve
- > In pipelines in front of burner
acc. to DIN EN12952/12953
- > In Industrial thermoprocessing equipment
acc. to DIN EN 746

TECHNICAL DATA

- > Single-seated straight-through globe valve
acc. to ANSI standard
- > Stem sealing acc. to TA-Luft,
stainless steel bellow with additional lip seal and
connection for tightness test
- > Exchangeable plug gasket
- > Maintenance-free guide bushing
- > Additional sealing force generated through primary
pressure loaded onto the valve plug
- > Piston actuator with integrated closing spring
- > Combined electro-pneumatic Regulation- and Quick-
closing control system

CERTIFICATES

EC-Type examination (Modul B)

acc. to directive 2014/68/EU

EC- Type examination certificate

with product-identnumber

acc. to gas appliance regulation EU/2016/426

based on:

DIN EN 13611 / DIN EN 161 / DIN EN 16678

Certificate:

- > TA-Luft
DIN EN ISO 15848-1
VDI 2440
- > SIL2 / EN 61508
- > Fire-safe
DIN EN ISO 10497 / API 607

OPERATING DATA

- Media:**
- > Gaseous fuels
acc. to PED 2014/68/EU
 - > Fuels acc. to G260;
gas group 1., 2. and 3
 - > Other gaseous media
- Operating pressure:** Max. 12 bar g
- Operating temperature:** -29 to 180 °C
- Ambient temperature:** -29 to 80 °C
- Control medium:** Compressed air at 4-8 bar g
- Air quality:** acc. to DIN ISO 8573-1
- Control voltage:** 230 V, 50 Hz, 24 V DC
- Power:** 10.6 VA / 6.8 W
- IP Protection Class:** IP 65
- Mounting position:** no restriction
- Mounting location:** Indoor/Outdoor

OPTION

- > Valve plug also available in parabolic, perforated as
well as in slit cone design

REMARKS

Acc. to DIN EN12952/12953 it is advised to install strainer
in front of shut off valve. (Kühme SF / SFY)

safe and reliable

Type KVII/FS

Quick-Closing & Control Valve for Gaseous Media Electro-Pneumatic Operated



DN 2½"-12" ANSI 300 lbs

DIMENSIONS

DN	bar g	Ø	mm							kg
	Max. Operating pressure*		Actuator	L	D	H	H ₁	H ₂	H ₃	
2½	7,0	150	292	200	615	180	120	350	140	54
2½	12,0	200	292	250	615	180	120	350	140	64
3	4,5	150	318	200	640	180	120	375	140	62
3	12,0	200	318	250	640	180	120	375	140	72
4	3,0	150	356	200	645	180	120	380	140	72
4	8,0	200	356	250	645	180	120	380	140	80
4	12,0	250	356	315	645	180	120	330	140	105
6	1,0	150	444	200	700	250	180	400	140	110
6	3,5	200	444	250	700	250	180	400	140	120
6	6,0	250	444	315	700	250	180	340	140	145
8	1,5	200	559	250	815	250	180	490	200	200
8	3,5	250	559	315	815	250	180	440	200	210
8	6,0	300	559	370	815	250	180	440	200	235
10	2,0	250	622	315	870	250	180	485	200	310
10	3,0	300	622	370	870	250	180	485	200	335
12	1,25	250	711	315	1150	280	180	675	200	475
12	2,0	300	711	370	1150	280	180	675	200	500

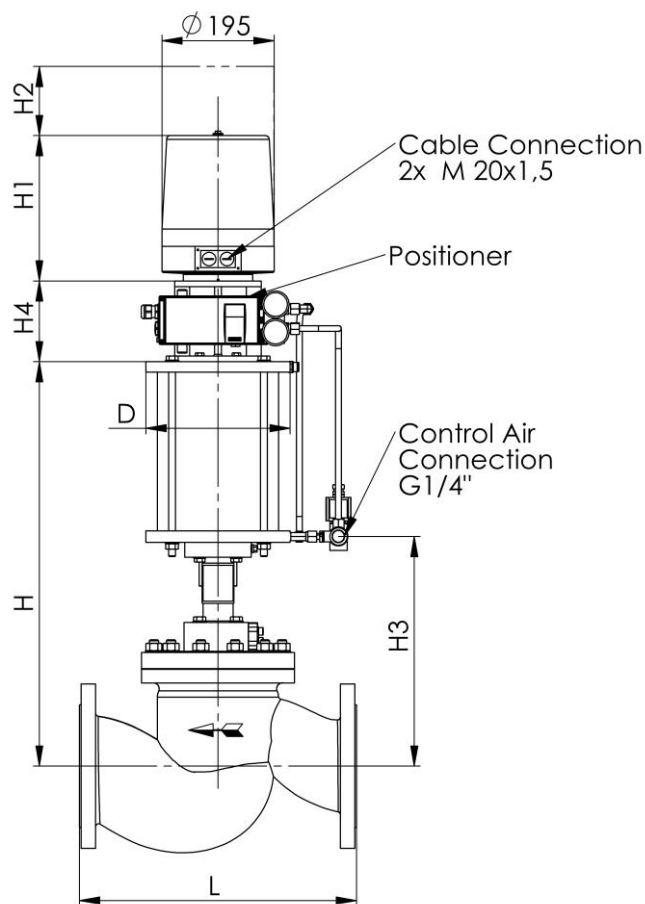
* Max. Functional pressure with compressed air 4 bar;
Flange dimension acc. to ASME B16.5

PARAMETER

Nominal diameter DN	2½	3	4	6	8	10	12
Max. Service pressure (PS) in bar g	12	12	12	6	6	3	2
Rating ANSI Class	300	300	300	300	300	300	300
k _{vs} - Wert m ³ /h [max.]	77	114	193	403	716	1087	1460
Closing time	< 1 Second						

ACCESSORIES*

QTY	Accessories
1	Pneumatic Change over Valve
1	3/2-way solenoid valve, directly actuated
1	Electro-pneumatically Positioner
2	Limit switch as mechanical cam switch or proximity switch
1	Protection cover, transparent, for limit switch and optical position indication



MATERIALS*

Body:	A 216 WCB
Valve seat:	cladded with 1.4551
Plug gasket:	Elastomer
Bellow:	1.4541
Stem:	1.4021
Actuator:	Steel/Aluminium
Sealing parts:	Elastomer

* Other materials and accessories are available on request.