

safe and reliable



Type KVII/HF-KVII/HF

## Double Block and Bleed Unit for Gaseous Media Electro-Pneumatic Operated

Edition: 05.18

Subject to change without notice

### APPLICATION AREA

- > Gas firing systems on steam boilers  
acc. to DIN EN12952/12953
- > Industrial thermoprocessing equipment  
acc. to DIN EN 746
- > Pipe systems for gaseous fuels  
for all industrial sectors

### ADVANTAGE

- > Closing time < 1 sec
- > High safety level through zero leakage
- > Heavy duty design for high operating cycles
- > High performance valve design for long service life
- > Package unit with integrated intermediate venting



safe and reliable

Type KVII/HF-KVII/HF

# Double Block and Bleed Unit for Gaseous Media Electro-Pneumatic Operated



DN 65-300 PN 40

## APPLICATION

- > Automatic operated emergency shutdown device
- > In pipelines in front of burner  
acc. to DIN EN 12952/12953
- > Safety and control device for gas burner
- > Automatic shut-off valves in piping systems

## TECHNICAL DATA

- > Single-seated straight-through globe valves  
acc. to DIN/EN standard
- > Stem sealing acc. to TA-Luft,  
stainless steel bellow with additional lip seal and  
connection for tightness test
- > Exchangeable plug gasket
- > Maintenance-free guide bushing
- > Piston actuator with integrated closing spring
- > Control element pressure-balanced to allow  
higher pressure
- > Integrated connection for intermediate venting

## CERTIFICATES

### EC-Type examination (Modul B)

acc. to directive 2014/68/EU

### EC- Type examination certificate

with product-identnumber

acc. to gas appliance regulation EU/2016/426

based on:

DIN EN 13611 / DIN EN 161 / DIN EN 16678 / DIN EN 16304

- Certificate:**
- > TA-Luft  
DIN EN ISO 15848-1  
VDI 2440
  - > SIL2 / EN 61508
  - > Fire-safe  
DIN EN ISO 10497 / API 607

## OPERATING DATA

- Media:**
- > Gaseous fuels  
acc. to PED 2014/68/EU
  - > Fuels acc. to G260;  
gas group 1., 2. and 3
  - > Other gaseous media
- Operating pressure:** Max. 16 bar g
- Operating temperature:** -29 to 180 °C
- Ambient temperature:** -29 to 80 °C
- Control medium:** Compressed air at 4-8 bar g
- Air quality:** acc. to DIN ISO 8573-1
- Control voltage:** 230 V, 50 Hz, 24 V DC
- Power:** 10.6 VA / 6.8 W
- IP Protection Class:** IP 65
- Mounting position:** no restriction
- Mounting position:** Indoor/Outdoor

## OPTION

- > Quick-closing valve with integrated control  
characteristic for soft opening
- > Combination with electro-pneumatic positioner for  
selective flow control

## REMARKS

Acc. to DIN EN12952/12953 it is advised to install strainer  
in front of shut off combination. (Kühme SF / SFY)

safe and reliable

Type KVII/HF-KVII/HF

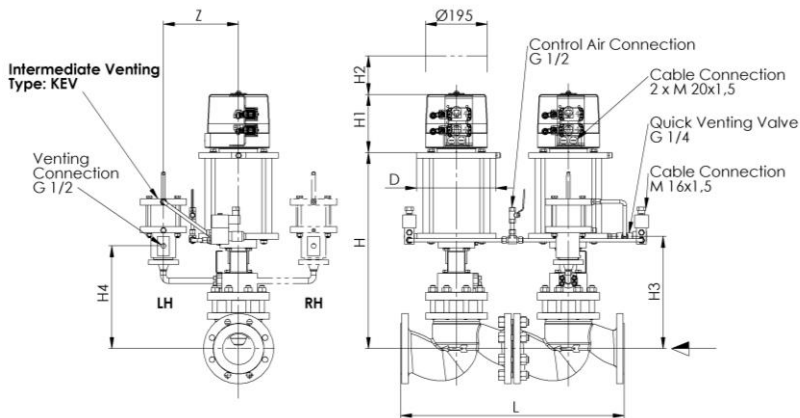
# Double Block and Bleed Unit for Gaseous Media Electro-Pneumatic Operated



DN 65-300 PN 40

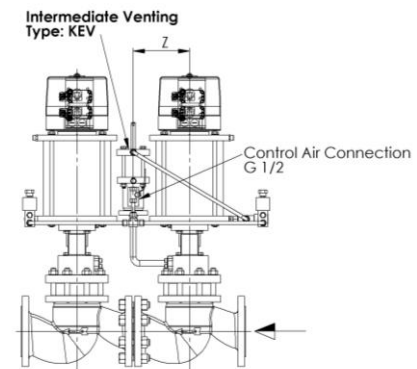
## TYPE A

Intermediate Venting Left Hand / Right Hand arrangement



## TYPE B

Intermediate Venting Compact arrangement



## DIMENSIONS

DN	bar g	mm								Arrangement	kg
	Max. Operating pressure*	L	D	H	H <sub>1</sub>	H <sub>2</sub>	H <sub>3</sub>	H <sub>4</sub>	Z		
65	16	580	200	520	180	120	350	255	240	A	125
80	10	620	200	525	180	120	352	265	250	A	125
80	16	620	250	525	180	120	352	265	250	A	125
100	16	700	250	525	180	120	352	315	235	A	170
125	16	800	250	660	250	180	400	335	235	A	205
150	16	960	250	660	250	180	400	367	300	A	285
200	16	1200	315	750	250	180	415	425	300	B	475
250	10	1460	315	870	250	180	535	490	315	B	725
300	10	1700	370	890	250	180	565	525	315	B	1000

\*Max. Functional pressure with compressed air 4 bar g; Flange dimensions acc. to EN 1092-1/B1

## MATERIALS\*

Body:	GP240GH
Valve seat:	cladded with 1.4551
Plug gasket:	Elastomer
Bellow:	1.4541
Stem:	1.4021
Actuator:	Steel/Aluminium
Sealing parts:	Elastomer

\* Other materials and accessories are available on request.

## ACCESSORIES\*

QTY	Accessories
2	Quick venting valve
2	3/2-way solenoid valve, directly actuated, pressure 0 to 8 bar
4	Limit switch as mechanical cam switch or proximity switch
2	Protection cover, transparent, for limit switch and optical position indication

## PARAMETER

Nominal diameter DN	65	80	100	125	150	200	250	300
Max. Service pressure (PS) in bar g	16	16	16	16	16	16	10	10
k <sub>vs</sub> - value m <sup>3</sup> /h (max.)	75	105	170	270	405	675	1090	1460
Closing time	< 1 Second							

safe and reliable

Type KVII/HF-KVII/HF

# Double Block and Bleed Unit for Gaseous Media Electro-Pneumatic Operated



DN 65-300 PN 40