

safe and reliable



Type KVII/HF

## Quick-Closing Valve for Gaseous Media Electro-Pneumatic Operated

Edition: 05.18

Subject to change without notice

### APPLICATION AREA

- > Gas firing systems on steam boilers  
acc. to DIN EN12952/12953
- > Industrial thermoprocessing equipment acc. to  
DIN EN 746
- > Pipe systems for fluids and gaseous media  
for all industrial sectors

### ADVANTAGE

- > Closing time < 1 sec
- > High safety level through zero leakage
- > Heavy duty design for high operating cycles
- > High performance valve design for long service  
life



safe and reliable

Type KVII/HF

# Quick-Closing Valve for Gaseous Media Electro-Pneumatic Operated



DN 65-300 PN 10-40

## APPLICATION

- > Automatic operated emergency shutdown device
- > In gas pipes in front of burner  
acc. to DIN EN12952/12953
- > Safety and control device for gas burner
- > Automatic shut-off valve in piping systems

## TECHNICAL DATA

- > Single-seated straight-through globe valve  
acc. to DIN/EN standard
- > Stem sealing acc. to TA-Luft,  
stainless steel bellow with additional lip seal and  
connection for tightness test
- > Exchangeable plug gasket
- > Maintenance-free guide bushing
- > Control element pressure-balanced to allow higher  
pressure
- > Piston actuator with integrated closing spring

## CERTIFICATES

### EC-Type examination (Modul B)

acc. to directive 2014/68/EU

### EC- Type examination certificate with product-identnumber

acc. to gas appliance regulation EU/2016/426

### based on:

DIN EN 13611 / DIN EN 161 / DIN EN 16678

### Certificate:

- > TA-Luft  
DIN EN ISO 15848-1  
VDI 2440
- > SIL2 / EN 61508
- > Fire-safe  
DIN EN ISO 10497 / API 607

## OPERATING DATA

- Media:**
- > Gaseous fuels  
acc. to PED 2014/68/EU
  - > Fuels acc. to G260;  
gas group 1., 2. and 3
  - > Other gaseous media
- Operating pressure:** Max. 16 bar g
- Operating temperature:** -29 to 180 °C
- Ambient temperature:** -29 to 80 °C
- Control medium:** Compressed air at 4-8 bar g
- Air quality:** acc. to DIN ISO 8573-1
- Control voltage:** 230 V, 50 Hz, 24 V DC
- Power:** 10.6 VA / 6.8 W
- IP Protection Class:** IP 65
- Mounting position:** no restriction
- Mounting position:** Indoor/Outdoor

## OPTION

- > Quick-closing valve with integrated control  
characteristic for soft opening
- > Combination with electro-pneumatic positioner for  
selective flow control

## REMARKS

Acc. to DIN EN12952/12953 it is advised to install strainer  
in front of shut off valve. (Kühme SF / SFY)

safe and reliable

Type KVII/HF

# Quick-Closing Valve for Gaseous Media Electro-Pneumatic Operated



DN 65-300 PN 10-40

## DIMENSIONS

DN	bar g	mm						kg
	Max. Operating pressure*	L	D	H	H <sub>1</sub>	H <sub>2</sub>	H <sub>3</sub>	Weight
65	16	290	200	615	180	120	350	60
80	10	310	200	615	180	120	352	60
80	16	310	250	615	180	120	352	60
100	16	350	250	615	180	120	352	82
125	16	400	250	630	250	180	400	100
150	16	480	250	660	250	180	400	140
200	16	600	315	750	250	180	410	235
250	10	730	315	900	250	180	535	360
300	10	850	370	910	250	180	565	500

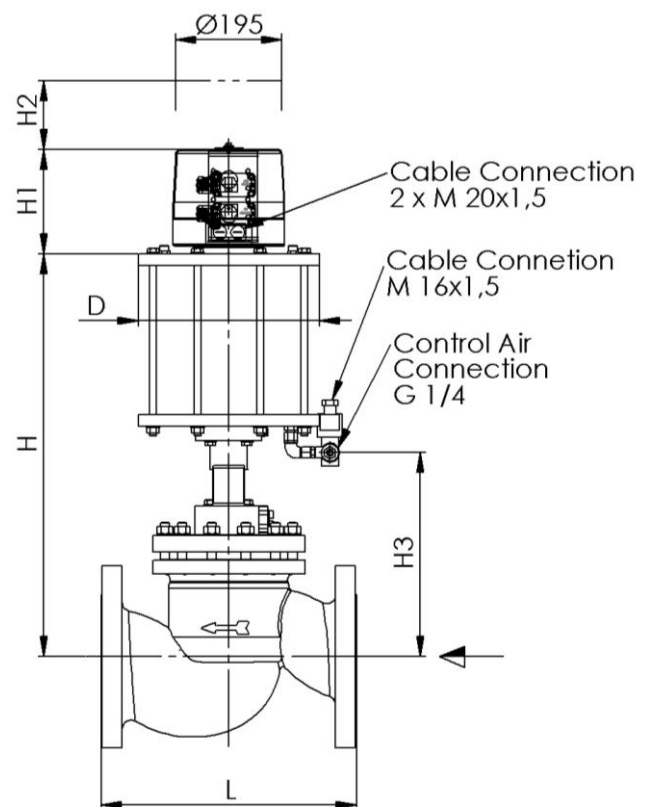
\*Max. Functional pressure with compressed air 4 bar g;  
Flange dimensions acc. to EN 1092-1/B1

## PARAMETER

Nominal diameter DN	65	80	100	125	150	200	250	300
Max. Service pressure (PS) in bar g	16	16	16	16	16	16	10	10
K <sub>vs</sub> - value m <sup>3</sup> /h (max.)	75	105	170	270	405	675	1090	1460
Closing time	< 1 Second							

## ACCESSORIES\*

QTY	Accessories
1	Quick venting valve
1	3/2-way solenoid valve, directly actuated, pressure 0 to 8 bar
2	Limit switch as mechanical cam switch or proximity switch
1	Protection cover, transparent, for limit switch and optical position indication



## MATERIALS\*

Body:	GP240GH
Valve seat:	cladded with 1.4551
Plug gasket:	Elastomer
Bellow:	1.4541
Stem:	1.4021
Actuator:	Steel/Aluminium
Sealing parts:	Elastomer

\* Other materials and accessories are available on request.