

Type KVF

## Quick-Closing Valve for Liquid Media Electro-Pneumatic Operated

Edition: 06.21

Subject to change without notice

### APPLICATION AREA

- > Oil firing systems on steam boilers  
acc. to DIN EN12952/12953
- > Industrial thermoprocessing equipment  
acc. to DIN EN 746
- > Pipe systems for fluids and liquid media for all  
industrial sectors

### ADVANTAGE

- > Closing time < 1 sec
- > High safety level through zero leakage
- > Heavy duty design for high operating cycles
- > High performance valve design for long service  
life



safe and reliable

Type KVF

# Quick-Closing Valve for Liquid Media Electro-Pneumatic Operated



DN ½"-2" ANSI 150 lbs

## APPLICATION

- > Automatic operated emergency shutdown device
- > In pipelines in front of burner acc. to  
DIN EN12952/12953
- > Safety and control device for fuel oil tank
- > Automatic shut-off valve in piping systems

## TECHNICAL DATA

- > Single-seated straight-through globe valve  
acc. to ANSI standard
- > Stem sealing acc. to TA-Luft,  
stainless steel bellow with additional lip seal and  
connection for tightness test
- > Exchangeable plug gasket
- > Maintenance-free guide bushing
- > Additional sealing force generated through primary  
pressure loaded onto the valve plug
- > Piston actuator with integrated closing spring

## CERTIFICATES

### EC-Type examination (Modul B)

acc. to directive 2014/68/EU

based on:

DIN ISO 23553-1

Certificate:

- > TA-Luft  
DIN EN ISO 15848-1  
VDI 2440
- > SIL2 / EN 61508
- > Fire-safe  
DIN EN ISO 10497 / API 607  
and API 6FA

## OPERATING DATA (GENERAL)

<b>Media:</b>	> Fuel oil acc. to PED 2014/68/EU > Other liquid media
<b>Operating pressure:</b>	Max. 20 bar g
<b>Operating temperature:</b>	-29 to 200 °C
<b>Ambient temperature:</b>	-29 to 80 °C
<b>Control medium:</b>	Compressed air at 4-8 bar g
<b>Air quality:</b>	acc. to DIN ISO 8573-1
<b>Control voltage:</b>	230 V, 50 Hz, 24 V DC
<b>Power:</b>	10.6 VA / 6.8 W
<b>IP Protection Class:</b>	IP 65
<b>Mounting position:</b>	No restriction
<b>Mounting location:</b>	Indoor/Outdoor

*The determined individual operating and design data based is displayed in the valve specification sheet submitted along with the quotation!*

## OPTION

- > Soft opening function with integrated control characteristic
- > Flow control function via smart positioner and special plug

## REMARKS

Acc. to DIN EN12952/12953 it is advised to install strainer in front of shut off valve. (Kühme SF / SFY)

safe and reliable

Type KVF

# Quick-Closing Valve for Liquid Media Electro-Pneumatic Operated



DN ½"-2" ANSI 150 lbs

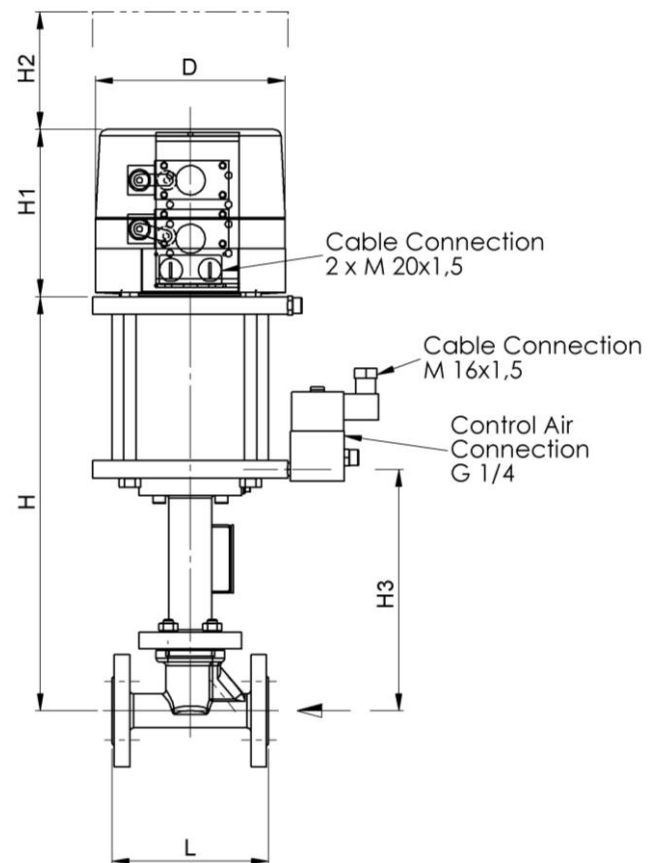
## DIMENSIONS

ANSI	mm						kg Weight
	L	D	H	H <sub>1</sub>	H <sub>2</sub>	H <sub>3</sub>	
½	108	195	420	180	120	243	34
¾	117	195	423	180	120	246	35
1	127	195	426	180	120	249	36
1½	165	195	440	180	120	262	45
2	203	195	420	180	120	235	50

Flange dimensions acc. to ASME B16.5

## PARAMETER

Nominal diameter DN	½"	¾"	1"	1 ½"	2"
Max. Operating pressure (PS) in bar at -25° to 38 °C	20	20	20	20	20
Max. Operating pressure (PS) in bar at max. 200°C	13,8	13,8	13,8	13,8	13,8
k <sub>vs</sub> - value m <sup>3</sup> /h (max.) (A 105)	3	5,3	8,3	21	37
k <sub>vs</sub> - value m <sup>3</sup> /h (max.) (A 216 WCB)	4,2	7,4	12	31	47
Closing time	< 1 Second				



## ACCESSORIES\*

QTY	Accessories
1	3/2-way solenoid valve, directly actuated, pressure 0 – 8 bar
2	Limit switch as mechanical cam switch or proximity switch
1	Protection cover, transparent, for limit switch and optical position indication

\* Other materials and accessories are available on request.

## MATERIALS\*

<b>Body:</b>	A 216 WCB
<b>Valve seat:</b>	cladded with 1.4009
<b>Plug gasket:</b>	Elastomer
<b>Bellow:</b>	1.4541
<b>Stem:</b>	1.4541
<b>Actuator:</b>	Steel/Aluminium
<b>Sealing parts:</b>	Elastomer

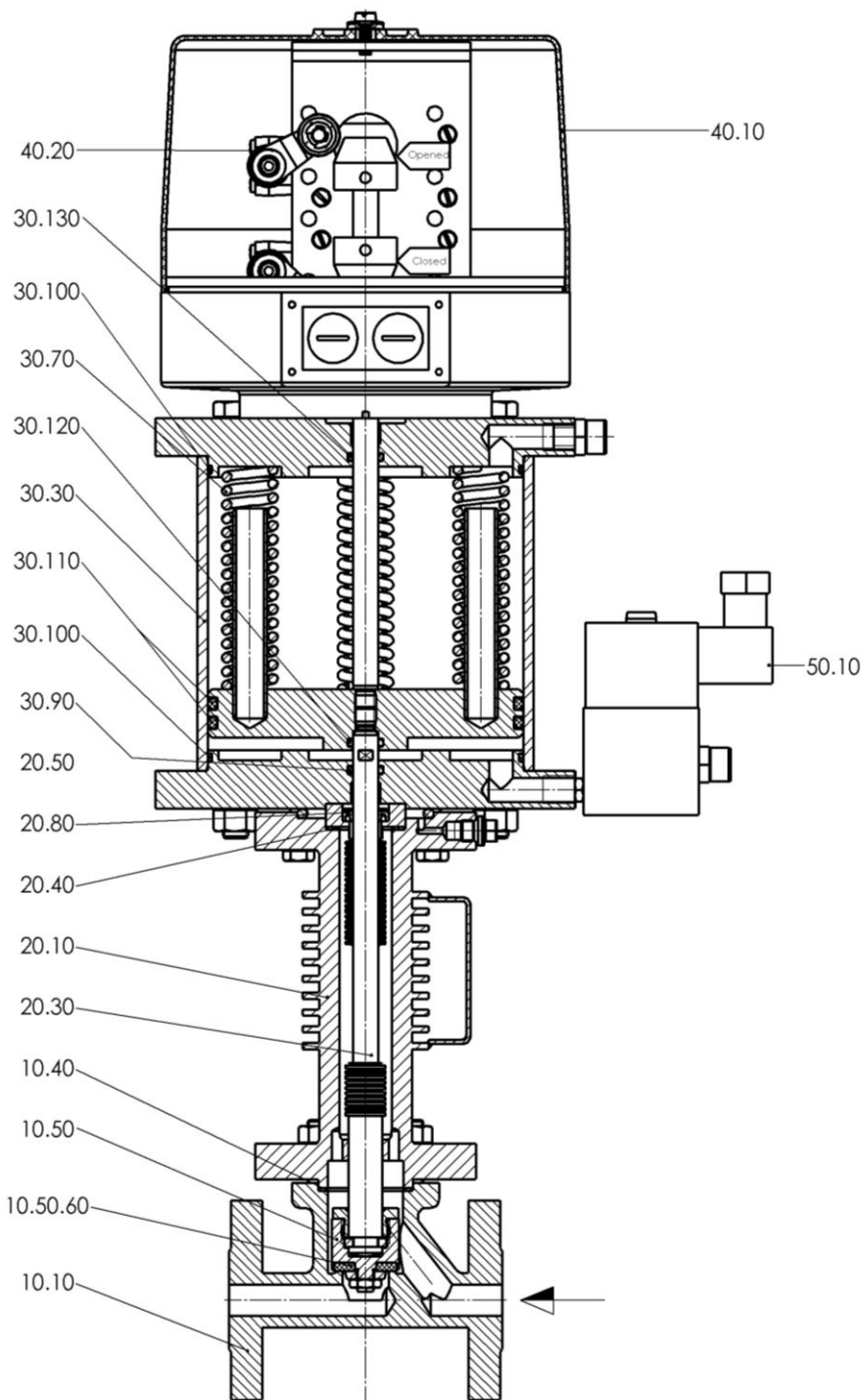
safe and reliable

Type KVF

# Quick-Closing Valve for Liquid Media Electro-Pneumatic Operated



DN ½"-2" ANSI 150 lbs



- 10.10 Body
- \* 10.40 Body gasket
- 10.50 Plug
- \* 10.50.60 Plug gasket
- 20.10 Bonnet
- \* 20.30 Stem with bellow
- \* 20.40 Gasket
- \* 20.50 O-Ring
- \* 20.80 Lip seal
- 30.30 Piston tube
- \* 30.70 Compression spring
- \* 30.90 O-Ring
- \* 30.100 O-Ring
- \* 30.110 O-Ring
- \* 30.120 O-Ring
- \* 30.130 O-Ring
- \* 40.10 Protection cover
- \* 40.20 Limit switch
- \* 50.10 3/2-way solenoid valve
- \* **Spares**