

safe and reliable



Type KVF

## Quick-Closing Valve for Steam Media Electro-Pneumatic Operated

Edition: 06.21

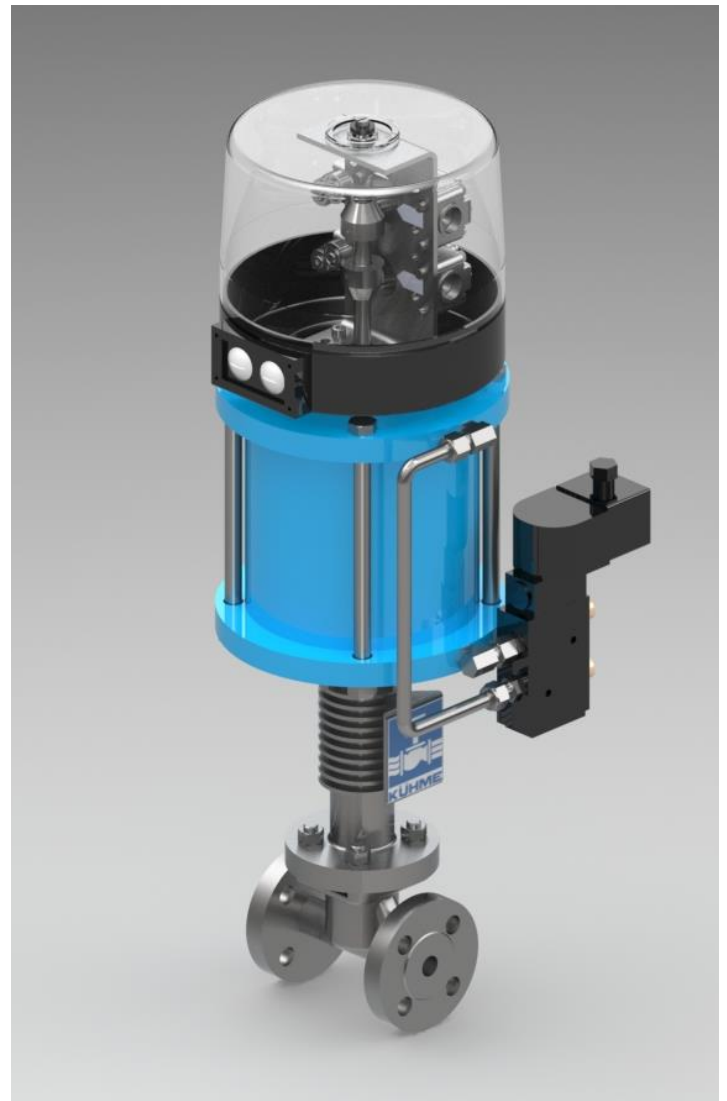
Subject to change without notice

### APPLICATION AREA

- > Pipe systems for steam and air media for all industrial sectors

### ADVANTAGE

- > Closing time < 1 sec
- > High safety level through zero leakage
- > Heavy duty design for high operating cycles
- > High performance valve design for long service life



safe and reliable

Type KVF

# Quick-Closing Valve for Steam Media Electro-Pneumatic Operated



DN 1/2"-2" ANSI 300 lbs

## APPLICATION

- > Automatic operated emergency shutdown device
- > Automatic shut-off valve in piping systems

## TECHNICAL DATA

- > Single-seated straight-through globe valve acc. to ANSI standard
- > Stem sealing acc. to TA-Luft, stainless steel bellow with additional lip seal and connection for tightness test
- > Exchangeable plug gasket
- > Maintenance-free guide bushing
- > Additional sealing force generated through primary pressure loaded onto the valve plug
- > Piston actuator with integrated closing spring

## OPTION

- > Soft opening function with integrated control characteristic
- > Flow control function via smart positioner and special plug

## OPERATING DATA (GENERAL)

<b>Media:</b>	Steam / Air
<b>Operating pressure:</b>	Max. 40 bar g
<b>Operating temperature:</b>	0 to 400 °C
<b>Ambient temperature:</b>	-25 to 80 °C
<b>Control medium:</b>	Compressed air at 4-8 bar g
<b>Air quality:</b>	acc. to DIN ISO 8573-1
<b>Control voltage:</b>	230 V, 50 Hz, 24 V DC
<b>Power:</b>	10.6 VA / 6.8 W
<b>IP Protection Class:</b>	IP 65
<b>Mounting position:</b>	No restriction
<b>Mounting location:</b>	Indoor/Outdoor

*The determined individual operating and design data based is displayed in the valve specification sheet submitted along with the quotation!*

## MATERIALS\*

<b>Body:</b>	A 216 WCB
<b>Valve seat:</b>	cladded with 1.4009
<b>Plug gasket:</b>	Steel
<b>Bellow:</b>	1.4541
<b>Actuator:</b>	Steel/Aluminium
<b>Sealing parts:</b>	Elastomer

safe and reliable

Type KVF

# Quick-Closing Valve for Steam Media Electro-Pneumatic Operated



DN 1/2"-2" ANSI 300 lbs

## DIMENSIONS

ANSI		mm					kg
DN	L	D	H	H <sub>1</sub>	H <sub>2</sub>	H <sub>3</sub>	Weight
1/2"	152	195	420	180	120	243	35
3/4"	178	195	423	180	120	246	35
1"	203	195	426	180	120	249	37
1 1/2"	229	195	434	180	120	257	40
2"	267	195	420	180	120	235	52

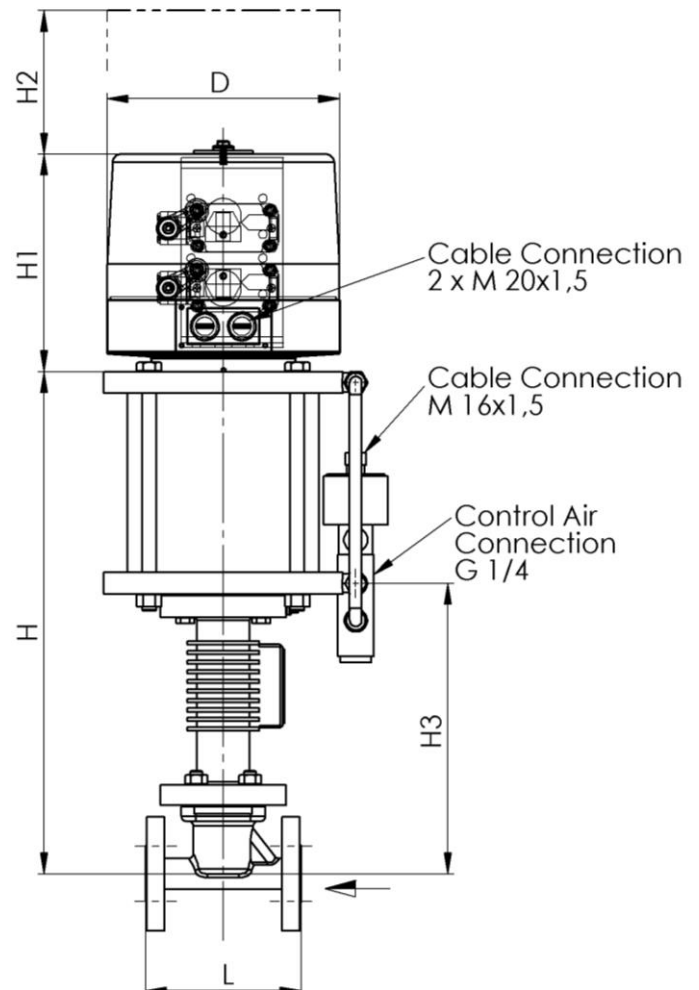
Flange dimensions acc. to ASME B16.5

## PARAMETER

Nominal diameter DN	1/2"	3/4"	1"	1 1/2"	2"
Max. Service pressure (PS) in bar g at max. 400 °C	21	21	21	21	21
k <sub>vs</sub> - value m <sup>3</sup> /h	5	7,5	12	30	46
Closing time	< 1 Second				

## ACCESSORIES\*

QTY	Accessories
1	4/2-way solenoid valve, directly actuated, pressure 0 – 8 bar
2	Limit switch as mechanical cam switch or proximity switch
1	Protection cover, transparent, for limit switch and optical position indication



\* Other materials and accessories are available on request.