

Type KVF

Quick-Closing Valve for Liquid Media Electro-Pneumatic Operated

Edition: 06.21

Subject to change without notice

APPLICATION AREA

- > Oil firing systems on steam boilers
acc. to DIN EN12952/12953
- > Industrial thermoprocessing equipment
acc. to DIN EN 746
- > Pipe systems for fluids and liquid media for all
industrial sectors

ADVANTAGE

- > Closing time < 1 sec
- > High safety level through zero leakage
- > Heavy duty design for high operating cycles
- > High performance valve design for long service
life



safe and reliable

Type KVF

Quick-Closing Valve for Liquid Media Electro-Pneumatic Operated



DN ½"-2" ANSI 300 lbs

APPLICATION

- > Automatic operated emergency shutdown device
- > In pipelines in front of burner acc. to
DIN EN12952/12953
- > Safety and control device for fuel oil tank
- > Automatic shut-off valve in piping systems

TECHNICAL DATA

- > Single-seated straight-through globe valve
acc. to ANSI standard
- > Stem sealing acc. to TA-Luft,
stainless steel bellow with additional lip seal and
connection for tightness test
- > Exchangeable plug gasket
- > Maintenance-free guide bushing
- > Additional sealing force generated through primary
pressure loaded onto the valve plug
- > Piston actuator with integrated closing spring

CERTIFICATES

EC-Type examination (Modul B)

acc. to directive 2014/68/EU

based on:

DIN ISO 23553-1

Certificate:

- > TA-Luft
DIN EN ISO 15848-1
VDI 2440
- > SIL2 / EN 61508
- > Fire-safe
DIN EN ISO 10497 / API 607
and API 6FA

OPERATING DATA (GENERAL)

Media:	> Fuel oil acc. to PED 2014/68/EU > Other liquid media
Operating pressure:	Max. 50 bar g
Operating temperature:	-29 to 200 °C
Ambient temperature:	-29 to 80 °C
Control medium:	Compressed air at 4-8 bar g
Air quality:	acc. to DIN ISO 8573-1
Control voltage:	230 V, 50 Hz, 24 V DC
Power:	10.6 VA / 6.8 W
IP Protection Class:	IP 65
Mounting position:	No restriction
Mounting location:	Indoor/Outdoor

The determined individual operating and design data based is displayed in the valve specification sheet submitted along with the quotation!

OPTION

- > Soft opening function with integrated control characteristic
- > Flow control function via smart positioner and special plug

REMARKS

Acc. to DIN EN12952/12953 it is advised to install strainer in front of shut off valve. (Kühme SF / SFY)

safe and reliable

Type KVF

Quick-Closing Valve for Liquid Media Electro-Pneumatic Operated



DN ½"-2" ANSI 300 lbs

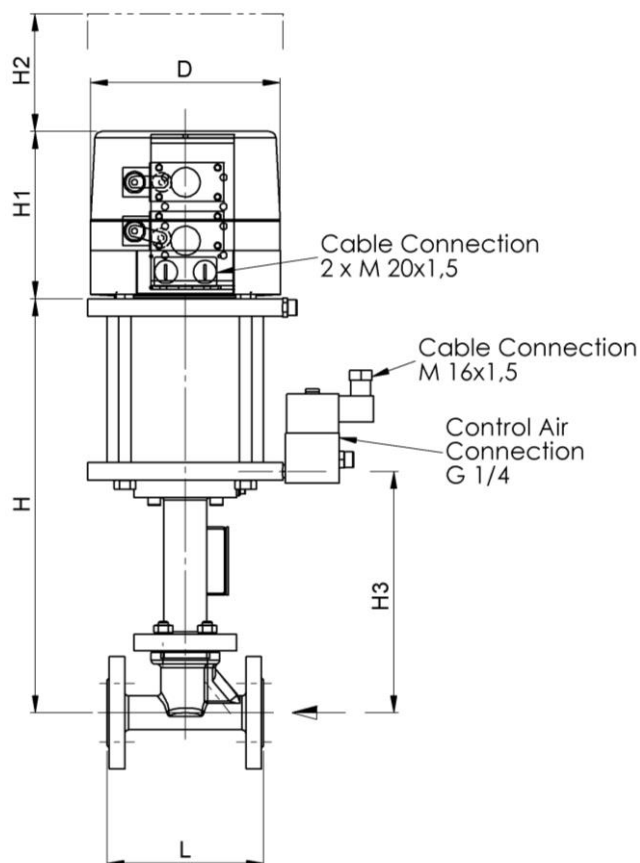
DIMENSIONS

ANSI	mm						kg Weight
	L	D	H	H ₁	H ₂	H ₃	
½	152	195	420	180	120	243	35
¾	178	195	423	180	120	246	35
1	203	195	426	180	120	249	37
1½	229	195	440	180	120	262	46
2	267	195	420	180	120	235	52

Flange dimensions acc. to ASME B16.5

PARAMETER

Nominal diameter DN	½"	¾"	1"	1 ½"	2"
Max. Operating pressure (PS) in bar at -25° to 38 °C	50	50	50	50	50
Max. Operating pressure (PS) in bar at max. 200°C	43,8	43,8	43,8	43,8	43,8
k _{vs} - value m ³ /h (max.) (A 105)	3	5,3	8,3	21	37
k _{vs} - value m ³ /h (max.) (A 216 WCB)	4,2	7,4	12	31	47
Closing time	< 1 Second				



ACCESSORIES*

QTY	Accessories
1	3/2-way solenoid valve, directly actuated, pressure 0 – 8 bar
2	Limit switch as mechanical cam switch or proximity switch
1	Protection cover, transparent, for limit switch and optical position indication

* Other materials and accessories are available on request.

MATERIALS*

Body:	A 216 WCB
Valve seat:	cladded with 1.4009
Plug gasket:	Elastomer
Bellow:	1.4541
Stem:	1.4541
Actuator:	Steel/Aluminium
Sealing parts:	Elastomer

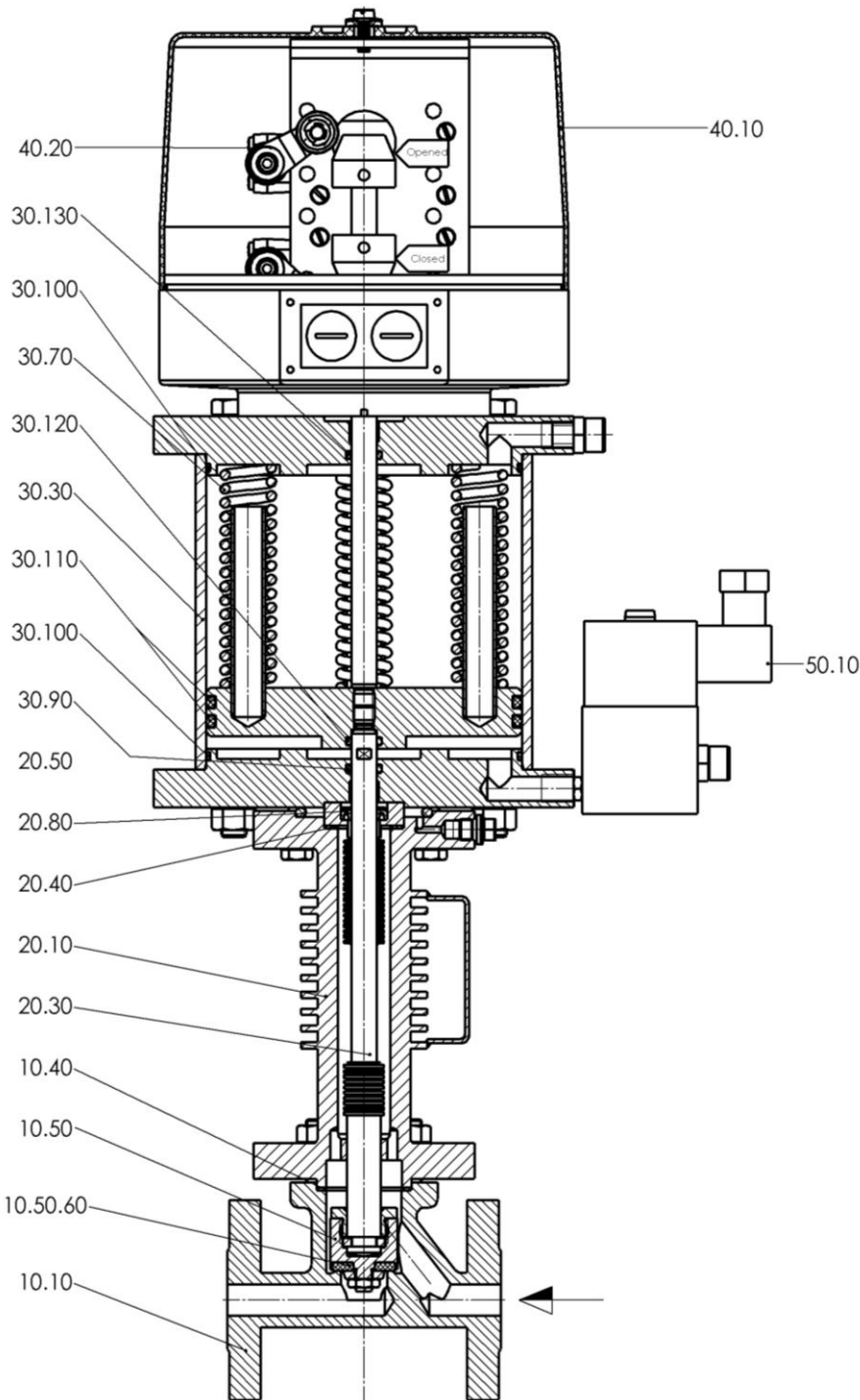
safe and reliable

Type KVF

Quick-Closing Valve for Liquid Media Electro-Pneumatic Operated



DN ½"-2" ANSI 300 lbs



- 10.10 Body
- * 10.40 Body gasket
- 10.50 Plug
- * 10.50.60 Plug gasket
- 20.10 Bonnet
- * 20.30 Stem with bellow
- * 20.40 Gasket
- * 20.50 O-Ring
- * 20.80 Lip seal
- 30.30 Piston tube
- * 30.70 Compression spring
- * 30.90 O-Ring
- * 30.100 O-Ring
- * 30.110 O-Ring
- * 30.120 O-Ring
- * 30.130 O-Ring
- * 40.10 Protection cover
- * 40.20 Limit switch
- * 50.10 3/2-way solenoid valve
- * **Spares**