

Type KVF

## Quick-Closing Valve for Gaseous Media Electro-Pneumatic Operated

Edition: 06.21

Subject to change without notice

### APPLICATION AREA

- > Gas firing systems on steam boilers  
acc. to DIN EN12952/12953
- > Industrial thermoprocessing equipment  
acc. to DIN EN 746
- > Pipe systems for gaseous media for all  
industrial sectors

### ADVANTAGE

- > Closing time < 1 sec
- > High safety level through zero leakage
- > Heavy duty design for high operating cycles
- > High performance valve design for long service  
life



safe and reliable

Type KVF

# Quick-Closing Valve for Gaseous Media Electro-Pneumatic Operated



DN 1/2"-2" ANSI 300 lbs

## APPLICATION

- > Automatic operated emergency shutdown device
- > In gas pipes in front of burner  
acc. to DIN EN 12952/12953
- > Safety and control device for gas burner
- > Automatic shut-off valves in piping systems

## TECHNICAL DATA

- > Single-seated straight-through globe valve  
acc. to ANSI standard
- > Stem sealing acc. to TA-Luft,  
stainless steel bellow with additional lip seal and  
connection for tightness test
- > Exchangeable plug gasket
- > Maintenance-free guide bushing
- > Additional sealing force generated through primary  
pressure loaded onto the valve plug
- > Piston actuator with integrated closing spring

## CERTIFICATES

### EC-Type examination (Modul B)

acc. to directive 2014/68/EU

### EC- Type examination certificate

with product-identnumber

acc. to gas appliance regulation EU/2016/426

based on:

DIN EN 13611 / DIN EN 161 / DIN EN 16678

Certificate:

- > TA-Luft  
DIN EN ISO 15848-1  
VDI 2440
- > SIL2 / EN 61508
- > Fire-safe  
DIN EN ISO 10497 / API 607  
and API 6FA

## OPERATING DATA

<b>Media:</b>	> Gaseous fuels acc. to PED 2014/68/EU
	> Fuels acc. to G260; gas group 1., 2. and 3
	> Other gaseous media
<b>Operating pressure:</b>	Max. 40 bar g
<b>Operating temperature:</b>	-29 to 200 °C
<b>Ambient temperature:</b>	-29 to 80 °C
<b>Control medium:</b>	Compressed air at 4-8 bar g
<b>Air quality:</b>	acc. to DIN ISO 8573-1
<b>Control voltage*:</b>	230 V, 50 Hz, 24 V DC
<b>Power:</b>	10.6 VA / 6.8 W
<b>IP Protection Class:</b>	IP 65
<b>Mounting position:</b>	No restriction
<b>Mounting location:</b>	Indoor/Outdoor

*The determined individual operating and design data based is displayed in the valve specification sheet submitted along with the quotation!*

## OPTION

- > Soft opening function with integrated control characteristic
- > Flow control function via smart positioner and special plug

## REMARKS

Acc. to DIN EN12952/12953 it is advised to install strainer in front of shut off valve. (Kühme SF / SFY)

safe and reliable

Type KVF

# Quick-Closing Valve for Gaseous Media Electro-Pneumatic Operated



DN 1/2"-2" ANSI 300 lbs

## DIMENSIONS

ANSI	mm						kg Weight
	L	D	H	H <sub>1</sub>	l	Ød	
1/2	117	195	420	243	10	21,7	35
3/4	117	195	423	246	13	27,1	35
1	139	195	426	249	13	33,8	37
1 1/2	186	195	440	262	13	48,7	46
2	209	195	420	235	16	61,1	52

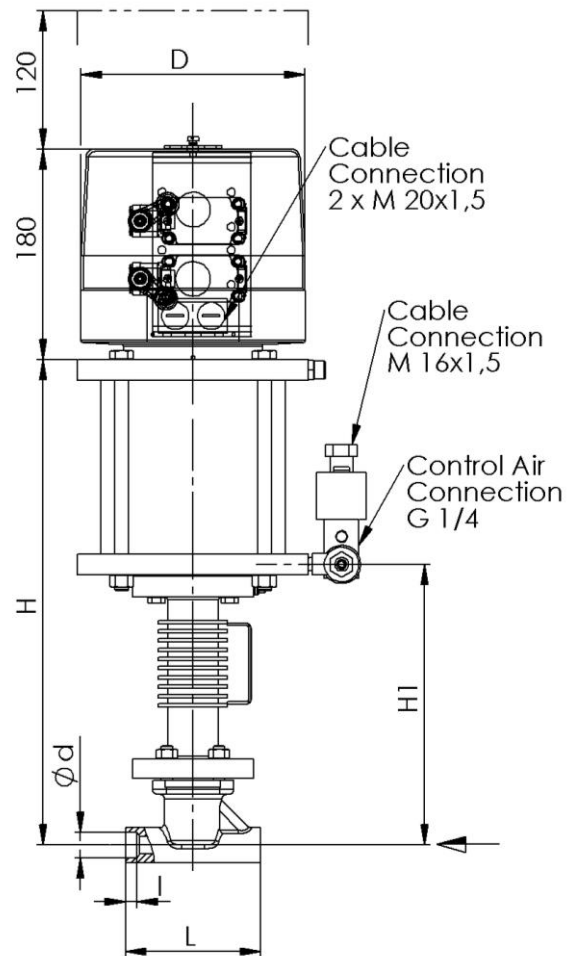
## PARAMETER

Nominal diameter DN	1/2"	3/4"	1"	1 1/2"	2"
Max. Service pressure (PS) in bar g	44	44	44	44	44
Rating ANSI Class	300	300	300	300	300
k <sub>vs</sub> - value m <sup>3</sup> /h (max.)	5,3	7,2	12	28,5	43
Closing time	< 1 Second				

## ACCESSORIES\*

QTY	Accessories
1	Quick venting valve
1	3/2-way solenoid valve, directly actuated, pressure 0 to 8 bar
2	Limit switch as mechanical cam switch or proximity switch
1	Protection cover, transparent, for limit switch and optical position indication

\* Other materials and accessories are available on request.



## MATERIALS\*

<b>Body:</b>	SA 105
<b>Valve seat:</b>	cladded with E347-16
<b>Plug gasket:</b>	Elastomer
<b>Bellow:</b>	1.4541
<b>Stem:</b>	1.4541
<b>Actuator:</b>	Steel/Aluminium
<b>Sealing parts:</b>	Elastomer

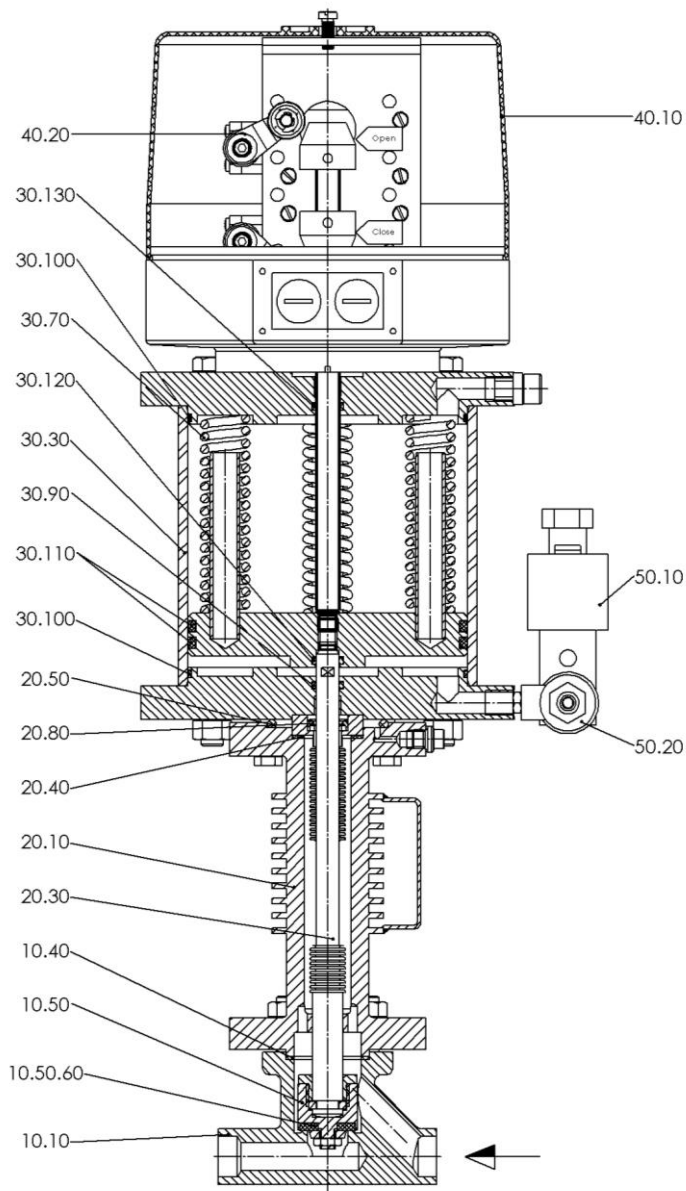
safe and reliable

Type KVF

# Quick-Closing Valve for Gaseous Media Electro-Pneumatic Operated



DN 1/2"-2" ANSI 300 lbs



- 10.10 Body
- \* 10.40 Body gasket
- 10.50 Plug
- \* 10.50.60 Plug gasket
- 20.10 Bonnet
- \* 20.30 Stem with bellow
- \* 20.40 Gasket
- \* 20.50 O-Ring
- \* 20.80 Lip seal
- 30.30 Piston tube
- \* 30.70 Compression spring
- \* 30.90 O-Ring
- \* 30.100 O-Ring
- \* 30.110 O-Ring
- \* 30.120 O-Ring
- \* 30.130 O-Ring
- \* 40.10 Protection cover
- \* 40.20 Limit switch
- \* 50.10 3/2-way solenoid valve
- \* 50.20 Quick venting valve
- \* **Spares**