

safe and reliable



Type KVF/0

Quick-Opening Valve for Gaseous Media Electro-Pneumatic Operated

Edition: 06.21

Subject to change without notice

APPLICATION AREA

- > Gas firing systems on steam boilers
acc. to DIN EN12952/12953
- > Industrial thermoprocessing equipment
acc. to DIN EN 746
- > Pipe systems for fluids and gaseous media for all
industrial sectors

ADVANTAGE

- > Open/Closing time < 1 sec
- > High safety level through zero leakage
- > Heavy duty design for high operating cycles
- > High performance valve design for long service
life



safe and reliable

Type KVF/0

Quick-Opening Valve for Gaseous Media Electro-Pneumatic Operated



DN 1/2"-2" ANSI 300 lbs

APPLICATION

- > Directly operated, normally open
- > Venting valve at double block and bleed unit for gaseous media
- > Automatic opening valve in piping systems

TECHNICAL DATA

- > Single-seated straight-through globe valve acc. to ANSI standard
- > Stem sealing acc. to TA-Luft, stainless steel bellow with additional lip seal and connection for tightness test
- > Exchangeable plug gasket
- > Maintenance-free guide bushing
- > Flow direction under valve plug
- > Piston actuator with integrated opening spring

CERTIFICATES

EC-Type examination (Modul B)

acc. to directive 2014/68/EU

EC- Type examination certificate

with product-identnumber

acc. to gas appliance regulation EU/2016/426

based on:

DIN EN 13611 / DIN EN 16304

Certificate:

- > TA-Luft
DIN EN ISO 15848-1
VDI 2440
- > SIL2 / EN 61508

OPERATING DATA (GENERAL)

Media:	> Gaseous fuels acc. to PED 2014/68/EU
	> Fuels acc. to G260; gas group 1., 2. and 3
	> Other gaseous media
Operating pressure:	Max. 50 bar g
Operating temperature:	-29 to 180 °C
Ambient temperature:	-29 to 80 °C
Control medium:	Compressed air at 4-8 bar g
Air quality:	acc. to DIN ISO 8573-1
Control voltage:	230 V, 50 Hz, 24 V DC
Power:	10.6 VA / 6.8 W
IP Protection Class:	IP 65
Mounting position:	No restriction
Mounting location:	Indoor/Outdoor

The determined individual operating and design data based is displayed in the valve specification sheet submitted along with the quotation!

OPTION

- > Flow control function via smart positioner and special plug

REMARKS

Acc. to DIN EN12952/12953 it is advised to install strainer in front of quick opening valve. (Kühme SF / SFY)

safe and reliable

Type KVF/0

Quick-Opening Valve for Gaseous Media Electro-Pneumatic Operated



DN 1/2"-2" ANSI 300 lbs

DIMENSIONS*

ANSI	bar g	Ø	mm						kg
	Max. Operating pressure*		Actuator	L	D	H	H ₁	H ₂	
1/2"	50	150	152	200	420	180	120	411	35
3/4"	50	150	178	200	423	180	120	414	35
1"	50	150	203	200	426	180	120	417	37
1 1/2"	32	150	229	200	440	180	120	431	46
1 1/2"	50	200	229	250	440	180	120	431	46
2"	42	200	267	250	430	180	120	421	52
2"	50	250	267	315	430	180	120	421	52

* Max. Functional pressure with compressed air 4 bar g;
Flange dimensions acc. to ASME B16.5

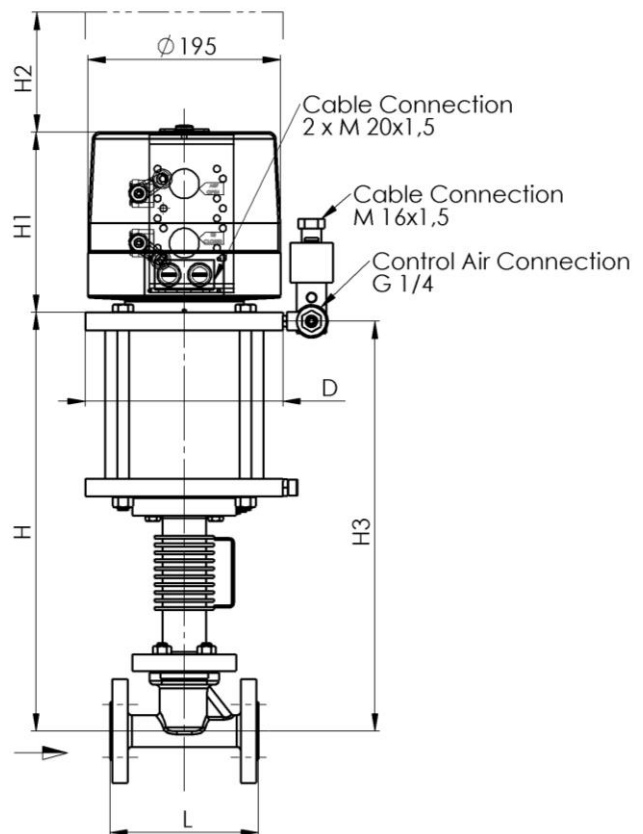
PARAMETER

Nominal diameter DN	1/2"	3/4"	1"	1 1/2"	2"
Max. Service pressure (PS) in bar g at -29° to 38 °C	51	51	51	51	51
Max. Service pressure (PS) in bar g at max. 180°C	44	44	44	44	44
Rating ANSI Class	300	300	300	300	300
k _{vs} - value m ³ /h (max.)	5	7,5	12	30	46
Opening time	< 1 Second				

ACCESSORIES*

QTY	Accessories
1	Quick venting valve
1	3/2-way solenoid valve, directly actuated, pressure 0 to 8 bar
2	Limit switch as mechanical cam switch or proximity switch
1	Protection cover, transparent, for limit switch and optical position indication

* Other materials and accessories are available on request.



MATERIALS*

Body:	A 216 WCB
Valve seat:	cladded with 1.4551
Plug gasket:	Elastomer
Bellow:	1.4541
Stem:	1.4541
Actuator:	Steel/Aluminium
Sealing parts:	Elastomer

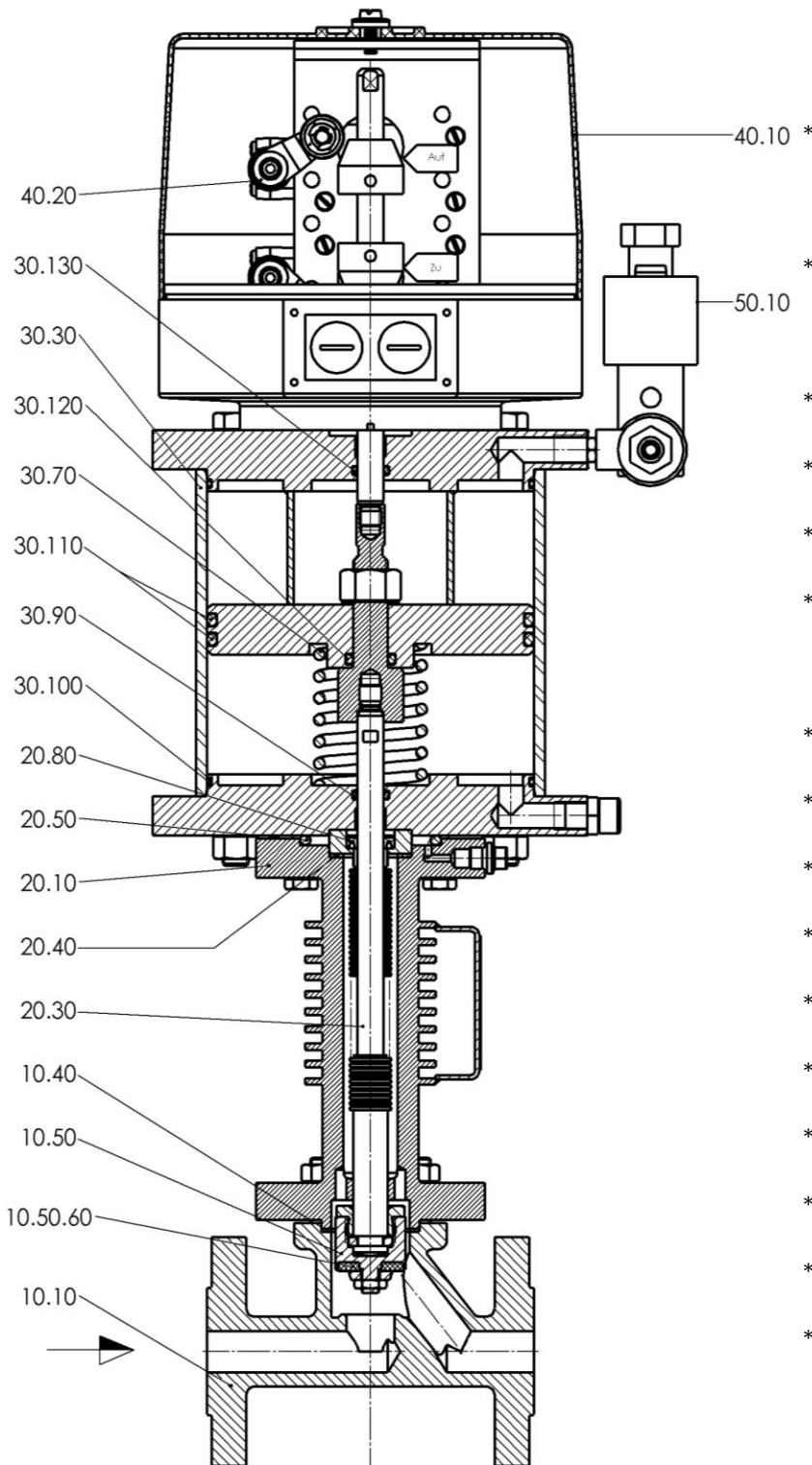
safe and reliable

Type KVF/0

Quick-Opening Valve for Gaseous Media Electro-Pneumatic Operated



DN 1/2"-2" ANSI 300 lbs



- 10.10 Body
- 10.40 Body gasket
- 10.50 Plug
- * 10.50.60 Plug gasket
- 20.10 Bonnet
- * 20.30 Stem with bellow
- * 20.40 Gasket
- * 20.50 O-Ring
- * 20.80 Lip seal
- 30.30 Piston tube
- * 30.70 Compression spring
- * 30.90 O-Ring
- * 30.100 O-Ring
- * 30.110 O-Ring
- * 30.120 O-Ring
- * 30.130 O-Ring
- * 40.10 Protection cover
- * 40.20 Limit switch
- * 50.10 3/2-way solenoid valve
- * **Spares**