

safe and reliable



Type KVH-KVH

Double Block and Bleed Unit for Gaseous Media Electro-Pneumatic Operated

Edition: 06.21

Subject to change without notice

APPLICATION AREA

- > Gas firing systems on steam boilers
acc. to DIN EN12952/12953
- > Industrial thermoprocessing equipment
acc. to DIN EN 746
- > Pipe systems for gaseous media
for all industrial sectors

ADVANTAGE

- > Closing time < 1 sec
- > High safety level through zero leakage
- > Heavy duty design for high operating cycles
- > High performance valve design for long service life
- > Package unit with integrated intermediate venting



safe and reliable

Type KVH-KVH

Double Block and Bleed Unit for Gaseous Media Electro-Pneumatic Operated



DN 65-300 PN 40

APPLICATION

- > Automatic operated emergency shutdown device
- > In pipelines in front of burner
acc. to DIN EN 12952/12953
- > Safety and control device for gas burner
- > Automatic shut-off valves in piping systems

TECHNICAL DATA

- > Single-seated straight-through globe valves
acc. to DIN/EN standard
- > Stem sealing acc. to TA-Luft,
automatic sealing set with additional lip seal and
connection for tightness test
- > Exchangeable plug gasket
- > Maintenance-free guide bushing
- > Control element pressure-balanced to allow
higher pressure
- > Piston actuator with integrated closing spring
- > Integrated connection for intermediate venting

CERTIFICATES

EC-Type examination (Modul B)

acc. to directive 2014/68/EU

based on:

DIN EN 13611 / DIN EN 161 / DIN EN 16678 / DIN EN 16304

Certificate:

- > TA-Luft
DIN EN ISO 15848-1
VDI 2440
- > SIL2 / EN 61508
- > Fire-safe
DIN EN ISO 10497 / API 607

OPERATING DATA (GENERAL)

Media:	> Gaseous fuels acc. to PED 2014/68/EU
	> Fuels acc. to G260; gas group 1., 2. and 3
	> Other gaseous media Max. 40 bar g
Operating pressure:	
Operating temperature:	-29 to 180 °C
Ambient temperature:	-29 to 80 °C
Control medium:	Compressed air at 4-8 bar g
Air quality:	acc. to DIN ISO 8573-1
Control voltage:	230 V 50 Hz, 24 V DC
Power:	10.6 VA / 6.8 W
IP Protection Class:	IP 65
Mounting position:	no restriction
Mounting location:	Indoor/Outdoor

The determined individual operating and design data based is displayed in the valve specification sheet submitted along with the quotation!

OPTION

- > Quick-closing valve with integrated control characteristic for soft opening
- > Combination with electro-pneumatic positioner for selective flow control

REMARKS

Acc. to DIN EN12952/12953 it is advised to install strainer in front of shut off valve. (Kühme SF / SFY)

safe and reliable

Type KVH-KVH

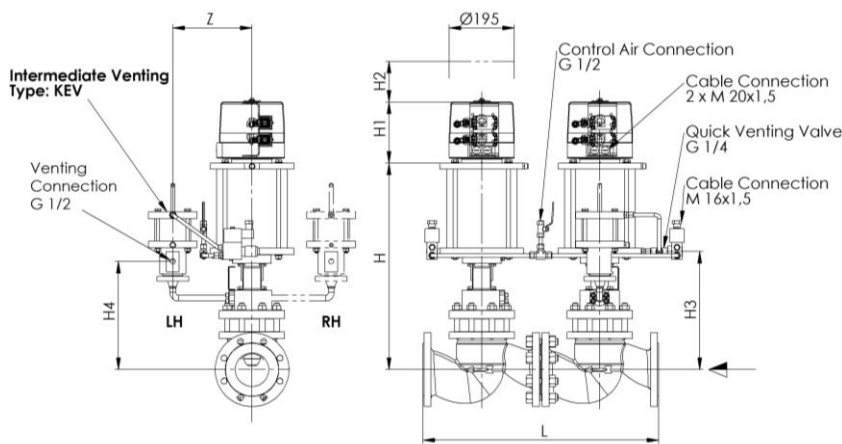
Double Block and Bleed Unit for Gaseous Media Electro-Pneumatic Operated



DN 65-300 PN 40

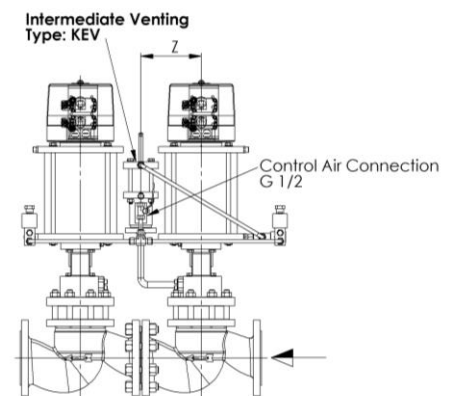
TYPE A

Intermediate Venting Left Hand / Right Hand arrangement



TYPE B

Intermediate Venting Compact arrangement



DIMENSION

DN	mm								Arrangement	kg Weight
	L	H	H ₁	H ₂	H ₃	H ₄	Z			
65	580	590	180	120	350	255	240	A	125	
80	620	615	180	120	352	265	250	A	145	
100	700	615	180	120	352	315	235	A	165	
125	800	660	250	180	400	335	235	A	205	
150	960	700	250	180	400	367	300	A	325	
200	1200	750	250	180	415	425	300	B	355	
250	1460	870	250	180	535	490	315	B	595	
300	1700	890	250	180	565	525	315	B	925	

Flange dimensions acc. to EN 1092-1/B1

MATERIALS*

Body:	GP240GH
Valve seat:	cladded with 1.4551
Plug gasket:	Elastomer
Stem:	1.4021
Actuator:	Steel/Aluminium
Sealing Parts:	Elastomer

* Other materials and accessories are available on request.

ACCESSORIES*

QTY	Accessories
2	Quick venting valve
2	3/2-way solenoid valve, directly actuated, pressure 0 to 8 bar
4	Limit switch as mechanical cam switch or proximity switch
2	Protection cover, transparent, for limit switch and optical position indication

PARAMETER

Nominal diameter DN	65	80	100	125	150	200	250	300
Max. Service pressure [PS] in bar g at max. 120 °C	40	40	40	40	40	40	40	40
Max. Service pressure [PS] in bar g at max. 180 °C	35	35	35	35	35	35	35	35
K _{vs} - value m ³ /h (max.)	75	105	170	270	405	675	1090	1460
Closing time	< 1 Second							