

Type KVH

Quick-Closing Valve for Liquid Media Electro-Pneumatic Operated

Edition: 06.21

Subject to change without notice

APPLICATION AREA

- > Oil firing systems on steam boilers
acc. to DIN EN12952/12953
- > Industrial thermoprocessing equipment acc. to
DIN EN 746
- > Pipe systems for fluids and liquid media
for all industrial sectors

ADVANTAGE

- > Closing time < 1 sec
- > High safety level through zero leakage
- > Heavy duty design for high operating cycles
- > High performance valve design for long service
life



safe and reliable

Type KVH

Quick-Closing Valve for Liquid Media Electro-Pneumatic Operated



DN 2½" – 12" ANSI 300 lbs

APPLICATION

- > Automatic operated emergency shutdown device
- > In gas pipes in front of burner
acc. to DIN EN12952/12953
- > Safety and control device for fuel oil tank
- > Automatic shut-off valve in piping systems

TECHNICAL DATA

- > Single-seated straight-through globe valve
acc. to ANSI standard
- > Stem sealing acc. to TA-Luft,
automatic sealing set with additional lip seal and
connection for tightness test
- > Exchangeable plug gasket
- > Maintenance-free guide bushing
- > Control element pressure-balanced to allow higher
pressure
- > Piston actuator with integrated closing spring

CERTIFICATES

EC-Type examination (Modul B)

acc. to directive 2014/68/EU

based on:

DIN ISO 23553-1

- Certificate:**
- > TA-Luft
DIN EN ISO 15848-1
VDI 2440
 - > SIL2 / EN 61508
 - > Fire-safe
DIN EN ISO 10497 / API 607

OPERATING DATA (GENERAL)

- Media:**
- > Fuel oil
acc. to PED 2014/68/EU
 - > Other liquid media
- Operating pressure:** Max. 50 bar g
- Operating temperature:** -29 to 180 °C
- Ambient temperature:** -29 to 80 °C
- Control medium:** Compressed air at 4-8 bar g
- Air quality:** acc. to DIN ISO 8573-1
- Control voltage:** 230 V 50 Hz, 24 V DC
- Power:** 10.6 VA / 6.8 W
- IP Protection Class:** IP 65
- Mounting position:** no restriction
- Mounting location:** Indoor/Outdoor

The determined individual operating and design data based is displayed in the valve specification sheet submitted along with the quotation!

OPTION

- > Quick-closing valve with integrated control characteristic for soft opening
- > Combination with electro-pneumatic positioner for selective flow control

REMARKS

Acc. to DIN EN12952/12953 it is advised to install strainer in front of shut off valve. (Kühme SF / SFY)

safe and reliable

Type KVH

Quick-Closing Valve for Liquid Media Electro-Pneumatic Operated



DN 2½" – 12" ANSI 300 lbs

DIMENSIONS

| DN | mm | | | | | | kg Weight |
|------|-----|-----|-----|----------------|----------------|----------------|--------------|
| | L | D | H | H ₁ | H ₂ | H ₃ | |
| 2 ½" | 292 | 250 | 590 | 180 | 120 | 350 | 62 |
| 3" | 318 | 250 | 615 | 180 | 120 | 352 | 75 |
| 4" | 356 | 250 | 615 | 180 | 120 | 352 | 90 |
| 6" | 444 | 250 | 700 | 250 | 180 | 400 | 160 |
| 8" | 559 | 370 | 750 | 250 | 180 | 410 | 245 |
| 10" | 622 | 370 | 900 | 250 | 180 | 535 | 320 |
| 12" | 711 | 370 | 910 | 250 | 180 | 565 | 500 |

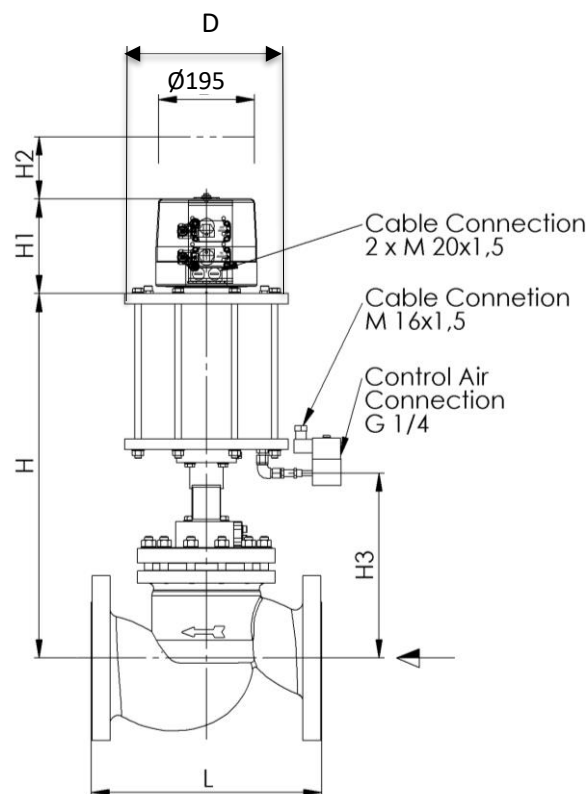
Flange dimensions acc. to ASME B16.5

PARAMETER

| Nominal diameter DN | 2½" | 3" | 4" | 6" | 8" | 10" | 12" |
|--|------------|-----|-----|-----|-----|------|------|
| Max. Service pressure (PS) in bar g at max. 50 °C | 50 | 50 | 50 | 50 | 50 | 50 | 50 |
| Max. Service pressure (PS) in bar g at max. 180 °C | 44 | 44 | 44 | 44 | 44 | 44 | 44 |
| k _{vs} - value m ³ /h (max.) | 77 | 114 | 193 | 403 | 716 | 1087 | 1460 |
| Closing time | < 1 Second | | | | | | |

ACCESSORIES*

| QTY | Accessories |
|-----|---|
| 1 | 3/2-way solenoid valve, directly actuated, pressure 0 to 8 bar |
| 2 | Limit switch as mechanical cam switch or proximity switch |
| 1 | Protection cover, transparent, for limit switch and optical position indication |



MATERIALS*

| | |
|-----------------------|---------------------|
| Body: | A 216 WCB |
| Valve seat: | cladded with 1.4551 |
| Plug gasket: | Elastomer |
| Stem: | 1.4021 |
| Actuator: | Steel/Aluminium |
| Sealing Parts: | Elastomer |

* Other materials and accessories are available on request.