

safe and reliable



Type KVH

## Quick-Closing Turbine-Valve for Gaseous Media Electro-Pneumatic Operated

Edition: 06.21

Subject to change without notice

### APPLICATION AREA

- > Gas firing systems on steam boilers  
acc. to DIN EN12952/12953
- > Industrial thermoprocessing equipment acc. to  
DIN EN 746
- > Pipe systems for gaseous media  
for all industrial sectors

### ADVANTAGE

- > Closing time < 1 sec
- > High safety level through zero leakage
- > Heavy duty design for high operating cycles
- > High performance valve design for long service  
life



safe and reliable

Type KVH

# Quick-Closing Turbine-Valve for Gaseous Media Electro-Pneumatic Operated



DN 2½" – 12" ANSI 300 lbs

## APPLICATION

- > Automatic operated emergency shutdown device
- > In gas pipes in front of burner  
acc. to DIN EN12952/12953
- > Safety and control device for gas burner
- > Automatic shut-off valve in piping systems

## TECHNICAL DATA

- > Single-seated straight-through globe valve  
acc. to ANSI standard
- > Stem sealing acc. to TA-Luft,  
automatic sealing set with additional lip seal and  
connection for tightness test
- > Exchangeable plug gasket
- > Maintenance-free guide bushing
- > Control element pressure-balanced to allow higher  
pressure
- > Piston actuator with integrated closing spring

## CERTIFICATES

### EC-Type examination (Modul B)

acc. to directive 2014/68/EU

#### based on:

DIN EN 13611 / DIN EN 161 / DIN EN 16678

- Certificate:**
- > TA-Luft  
DIN EN ISO 15848-1  
VDI 2440
  - > SIL2 / EN 61508
  - > Fire-safe  
DIN EN ISO 10497 / API 607

## OPERATING DATA (GENERAL)

- Media:**
- > Gaseous fuels  
acc. to PED 2014/68/EU
  - > Fuels acc. to G260;  
gas group 1., 2. and 3
  - > Other gaseous media
- Operating pressure:** Max. 50 bar g
- Operating temperature:** -29 to 180 °C
- Ambient temperature:** -29 to 80 °C
- Control medium:** Compressed air at 4-8 bar g
- Air quality:** acc. to DIN ISO 8573-1
- Control voltage:** 230 V 50 Hz, 24 V DC
- Power:** 10.6 VA / 6.8 W
- IP Protection Class:** IP 65
- Mounting position:** no restriction
- Mounting location:** Indoor/Outdoor

*The determined individual operating and design data based is displayed in the valve specification sheet submitted along with the quotation!*

## OPTION

- > Quick-closing valve with integrated control characteristic for soft opening
- > Combination with electro-pneumatic positioner for selective flow control

## REMARKS

Acc. to DIN EN12952/12953 it is advised to install strainer in front of shut off valve. (Kühme SF / SFY)

safe and reliable

Type KVH

# Quick-Closing Turbine-Valve for Gaseous Media Electro-Pneumatic Operated



DN 2½" – 12" ANSI 300 lbs

## DIMENSIONS

| DN   | mm  |     |     |                |                |                | kg     |
|------|-----|-----|-----|----------------|----------------|----------------|--------|
|      | L   | D   | H   | H <sub>1</sub> | H <sub>2</sub> | H <sub>3</sub> | Weight |
| 2 ½" | 292 | 250 | 590 | 180            | 120            | 350            | 62     |
| 3"   | 318 | 250 | 615 | 180            | 120            | 352            | 75     |
| 4"   | 356 | 250 | 615 | 180            | 120            | 352            | 90     |
| 6"   | 444 | 250 | 700 | 250            | 180            | 400            | 160    |
| 8"   | 559 | 370 | 750 | 250            | 180            | 410            | 245    |
| 10"  | 622 | 370 | 900 | 250            | 180            | 535            | 320    |
| 12"  | 711 | 370 | 910 | 250            | 180            | 565            | 500    |

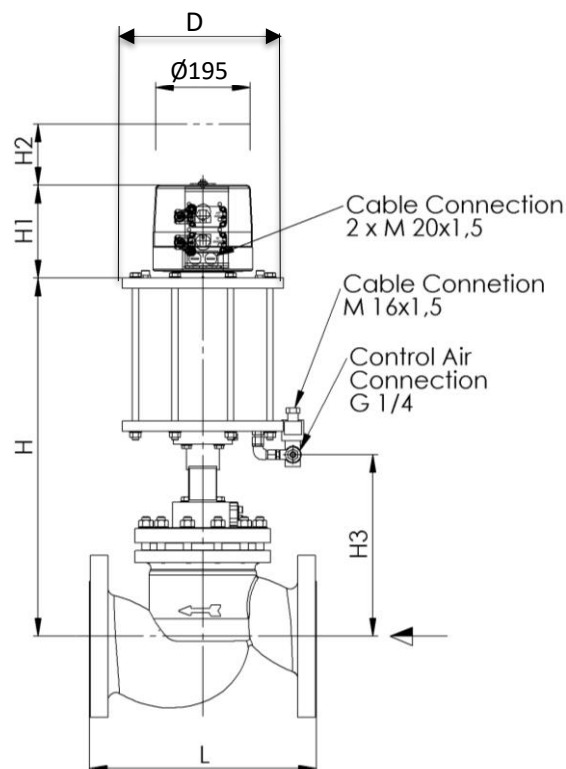
Flange dimensions acc. to ASME B16.5

## PARAMETER

| Nominal diameter DN                                | 2½"        | 3"  | 4"  | 6"  | 8"  | 10"  | 12"  |
|--|------------|-----|-----|-----|-----|------|------|
| Max. Service pressure (PS) in bar g at max. 50 °C  | 50         | 50  | 50  | 50  | 50  | 50   | 50   |
| Max. Service pressure (PS) in bar g at max. 180 °C | 44         | 44  | 44  | 44  | 44  | 44   | 44   |
| k <sub>vs</sub> - value m³/h (max.)                | 77         | 114 | 193 | 403 | 716 | 1087 | 1460 |
| Closing time                                       | < 1 Second |     |     |     |     |      |      |

## ACCESSORIES\*

| QTY | Accessories   |
|-----|---|
| 1   | Quick venting valve   |
| 1   | 3/2-way solenoid valve, directly actuated, pressure 0 to 8 bar                  |
| 2   | Limit switch as mechanical cam switch or proximity switch                       |
| 1   | Protection cover, transparent, for limit switch and optical position indication |



## MATERIALS\*

|                       |                     |
|-----------------------|---------------------|
| <b>Body:</b>          | A 216 WCB           |
| <b>Valve seat:</b>    | cladded with 1.4551 |
| <b>Plug gasket:</b>   | Elastomer           |
| <b>Stem:</b>          | 1.4021              |
| <b>Actuator:</b>      | Steel/Aluminium     |
| <b>Sealing Parts:</b> | Elastomer           |

\* Other materials and accessories are available on request.