

safe and reliable



Type KVII/FO

## Quick-Opening Valve for Gaseous Media Electro-Pneumatic Operated

Edition: 06.21

Subject to change without notice

### APPLICATION AREA

- > Gas firing systems on steam boilers  
acc. to DIN EN12952/12953
- > Industrial thermoprocessing equipment  
acc. to DIN EN 746
- > Pipe systems for fluids and gaseous media for all  
industrial sectors

### ADVANTAGE

- > Open/Closing time < 1 sec
- > High safety level through zero leakage
- > Heavy duty design for high operating cycles
- > High performance valve design for long service  
life



safe and reliable

Type KVII/FO

# Quick-Opening Valve for Gaseous Media Electro-Pneumatic Operated



DN 65-150

PN 16

## APPLICATION

- > Directly operated, normally open
- > Venting valve at double block and bleed unit for gaseous media
- > Automatic opening valve in piping systems

## TECHNICAL DATA

- > Single-seated straight-through globe valve acc. to DIN/EN standard
- > Stem sealing acc. to TA-Luft, stainless steel bellow with additional lip seal and connection for tightness test
- > Exchangeable plug gasket
- > Maintenance-free guide bushing
- > Flow direction under valve plug
- > Piston actuator with integrated opening spring

## CERTIFICATES

### EC-Type examination (Modul B)

acc. to directive 2014/68/EU

### based on:

DIN EN 13611 / DIN EN 16304

- Certificate:**
- > TA-Luft  
DIN EN ISO 15848-1  
VDI 2440
  - > SIL2 / EN 61508

## OPERATING DATA (GENERAL)

- Media:**
- > Gaseous fuels acc. to PED 2014/68/EU
  - > Fuels acc. to G260; gas group 1., 2. and 3
  - > Other gaseous media
- Operating pressure:** Max. 10 bar g (DN65-100)  
Max. 6 bar g (DN125-150)
- Operating temperature:** -29 to 180 °C
- Ambient temperature:** -29 to 80 °C
- Control medium:** Compressed air at 4-8 bar g
- Air quality:** acc. to DIN ISO 8573-1
- Control voltage:** 230 V, 50 Hz, 24 V DC
- Power:** 10.6 VA / 6.8 W
- IP Protection Class:** IP 65
- Mounting position:** No restriction
- Mounting location:** Indoor/Outdoor

*The determined individual operating and design data based is displayed in the valve specification sheet submitted along with the quotation!*

## OPTION

- > Flow control function via smart positioner and special plug

## REMARKS

Acc. to DIN EN12952/12953 it is advised to install strainer in front quick opening valve. (Kühme SF / SFY)

safe and reliable

Type KVII/FO

# Quick-Opening Valve for Gaseous Media Electro-Pneumatic Operated



DN 65-150

PN 16

## DIMENSIONS

DN	bar g Max. Operating pressure*	Ø Actuator	mm						kg Weight
			L	D	H	H <sub>1</sub>	H <sub>2</sub>	H <sub>3</sub>	
65	10,0	150	290	200	520	180	120	510	46
80	6,0	150	310	200	525	180	120	515	55
80	10,0	200	310	250	525	180	120	515	55
100	3,5	150	350	200	525	180	120	515	70
100	10,0	200	350	250	525	180	120	515	70
125	2,5	150	400	200	625	250	180	615	85
125	6,0	200	400	350	625	250	180	615	85
150	1,5	150	480	200	625	250	180	615	100
150	4,0	200	480	250	625	250	180	615	100
150	6,0	250	480	315	625	250	180	615	100

\* Max. Functional pressure (max. switchable differential pressure) with compressed air in bar g; Flange dimensions acc. to EN 1092-1/B1

## PARAMETER

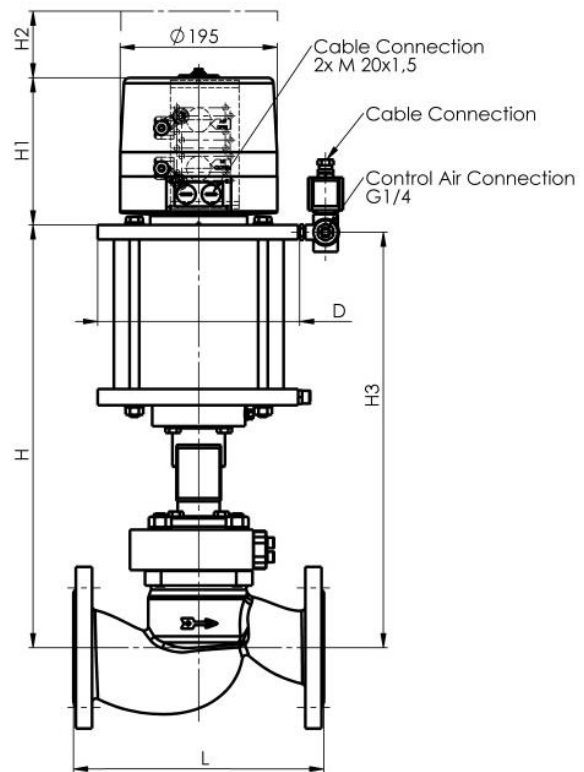
Nominal diameter DN	65	80	100	125	150
Max. Service pressure (PS) in bar g	10	10	10	6	6
k <sub>vs</sub> - value m <sup>3</sup> /h (max.)	75	105	170	270	405
Opening time	< 1 Second				

## ACCESSORIES\*

QTY	Accessories
1	Quick venting valve
1	3/2-way solenoid valve, directly actuated, pressure 0 to 8 bar
2	Limit switch as mechanical cam switch or proximity switch
1	Protection cover, transparent, for limit switch and optical position indication

## REMARKS

The actuator size is selected according to the operating pressure! The max. Service pressure (PS) remains unaffected!



## MATERIALS\*

<b>Body:</b>	GP240GH
<b>Valve seat:</b>	cladded with 1.4551
<b>Plug gasket:</b>	Elastomer
<b>Bellow:</b>	1.4541
<b>Stem:</b>	1.4021
<b>Actuator:</b>	Steel/Aluminium
<b>Sealing parts:</b>	Elastomer

\* Other materials and accessories are available on request.